

<https://prom-nasos.pro>  
<https://bts.net.ua>  
<https://prom-nasos.com.ua>  
+38 095 656-37-57,  
+38 067 360-71-01,  
+38 063 362-12-31,  
[info@prom-nasos.pro](mailto:info@prom-nasos.pro)

## **Catalog BB series STAINLESS-STEEL PUMP**

<https://bts.net.ua>



## APPLICATIONS

This pump can be used at full head without overloading motor.  
 The pumps are suitable for transporting clean water and light corrosive liquid, glycol solution and other liquid which must be allowed by dealer. The pumps can be applied on Industrial applications, domestic, washing, pool, and irrigation etc.

Liquid temperature:-15°C~+80°C  
 Max. working pressure:8bar

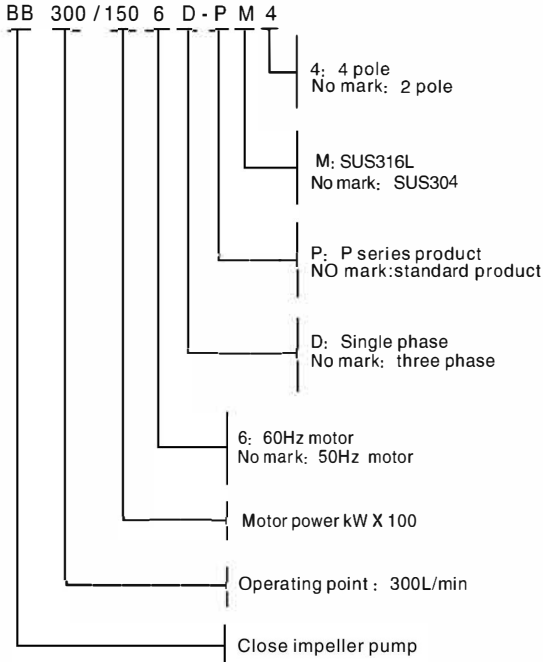
## Materials

Casing, impeller, back cover and pump shaft: SUS304 material.

## Motor Data

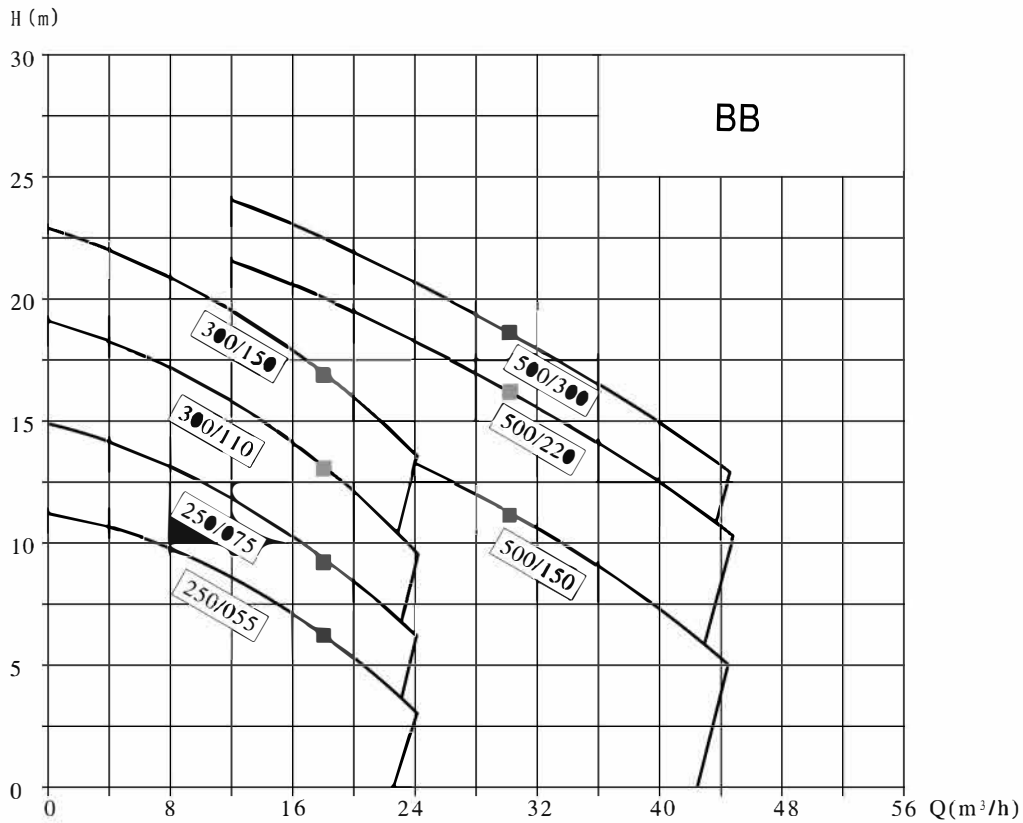
Speed:2900r/min  
 Insulation Class:F  
 Protection Class:IP55  
 Rating Power:0.55~3kW 0.75~4HP  
 Frequency:50Hz  
 Voltage:220V 380V  
 With overload protector in single phase motor  
 Motor jacket/base/adapter:Aluminium  
 Ambient temperature range:-15°C~+40°C

## Symbols:

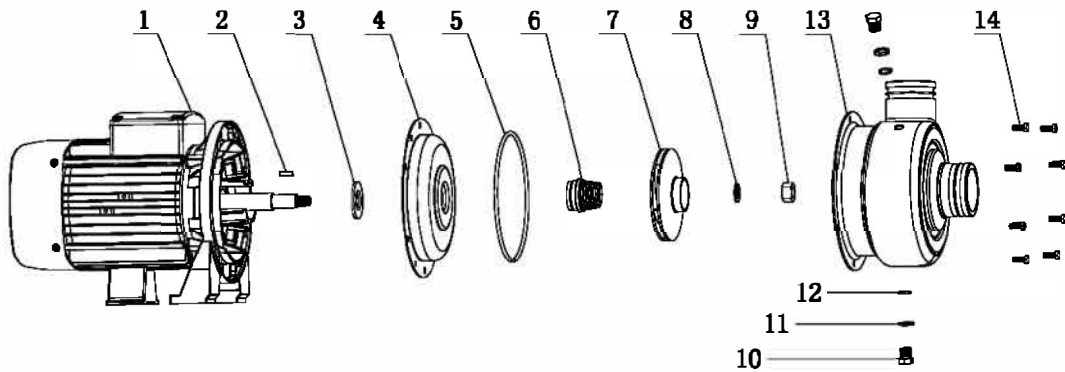


Model		Power		Capacity							
Single phase 220V 50HZ	Three phase 380V 50HZ	kW	HP	m <sup>3</sup> /h	6	12	18	24	30	36	42
				l/min	100	200	300	400	500	600	700
				Head (m)							
BB250/055D	BB250/055	0.55	0.75		10.5	9	7	3	—	—	—
BB250/075D	BB250/075	0.75	1.0		14.5	13	10	6	—	—	—
BB300/110D	BB300/110	1.1	1.5		18.5	16.5	13.5	9.5	—	—	—
BB300/150D	BB300/150	1.5	2.0		22.5	20.5	17.5	13.5	—	—	—
BB500/150D	BB500/150	1.5	2.0		—	16	15	13.5	11.5	9.5	6
BB500/220D	BB500/220	2.2	3.0		—	21.5	20	18.5	16.5	14.5	11.5
—	BB500/300	3.0	4.0		—	24	22.5	21	19	17	14

BB Pump Curves



**Parts list:**



No.	Description	No.	Description	No.	Description	No.	Description
1	Motor	5	O ring	9	Impeller Nut	13	Casing
2	Key	6	Mechanical seal	10	Priming/Drain Bolt	14	Screw
3	" V " Slinger	7	Impeller	11	" L " Washer		
4	Back Cover	8	Spring washer	12	O ring		

**Installation dimension**

Model		A	B	C1	D1	D2	E	F	H	H1	H2	H3	K	L	M	W	W1	DNA	DNM	Weight (kg)
BB250/055D	BB250/055	120	90	84	∅52	∅52	84	160	226	108	211	210	9	360	40	170	20	G1"1/2	G1"1/2	10.2
BB250/075D	BB250/075	120	90	84	∅52	∅52	84	160	226	108	211	210	9	360	40	170	20	G1"1/2	G1"1/2	11.2
BB300/110D	BB300/110	140	75	101	∅63	∅63	87	180	253	120	260	230	9	403	40	193	20	G2"	G2"	16
BB300/150D	BB300/150	140	75	101	∅63	∅63	87	180	253	120	260	230	9	403	40	193	20	G2"	G2"	17
BB500/150D	BB500/150	140	75	101	∅63	∅63	93	180	253	120	260	230	9	409	40	193	20	G2"	G2"	16.3
BB500/220D	BB500/220	140	90	101	∅63	∅63	93	180	253	120	268	240	9	441	40	193	20	G2"	G2"	22.3
	BB500/300	140	90	101	∅63	∅63	93	180	253	120		240	9	441	40	193	20	G2"	G2"	24.3

H2 for motors on single phase      H3 for motors on three phase

**Outline dimension**

