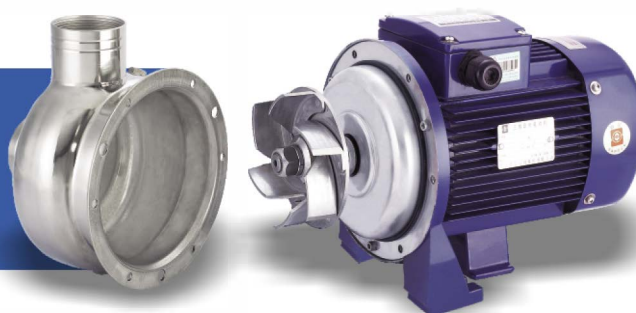




# Type BK

## SEMI-OPEN IMPELLER STAINLESS-STEEL PUMPS



### Applications

Suitable for circulation cleaning system of various production lines and transporting media containing impurities.



### Performance limits

Liquid temperature:-15°C~+80°C

Can be connected with threaded tube or hose.

This pump can be used at full head without overloading motor.

### Materials

Casing, back cover, impeller and pump shaft:SUS304 or SUS316 material.

Motor casing:Aluminum-alloy

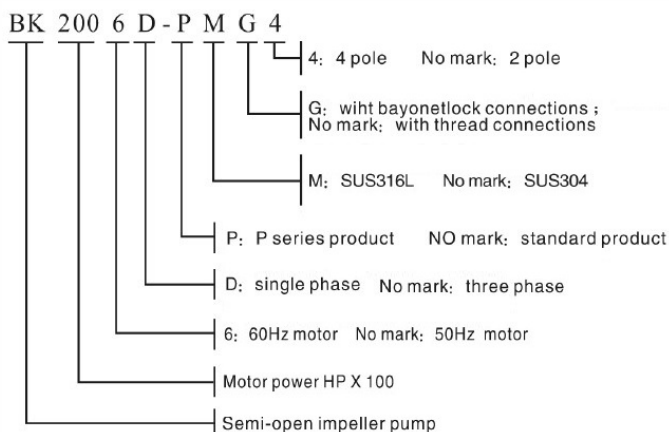
# Type BK

## SEMI-OPEN IMPELLER STAINLESS-STEEL PUMP

### Motor

Continuous duty  
 Insulation class:F  
 Protection class:IP55  
 Ambient temperature range:-15°C~+40°C  
 Wet part material: SUS304 or SUS316 With  
 overload protector in single phase motor

### Symbols:

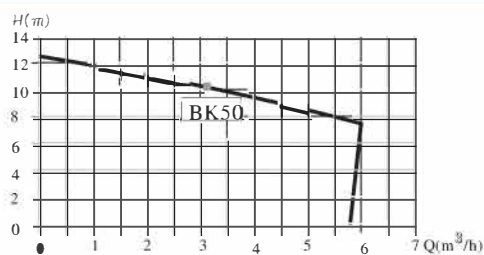
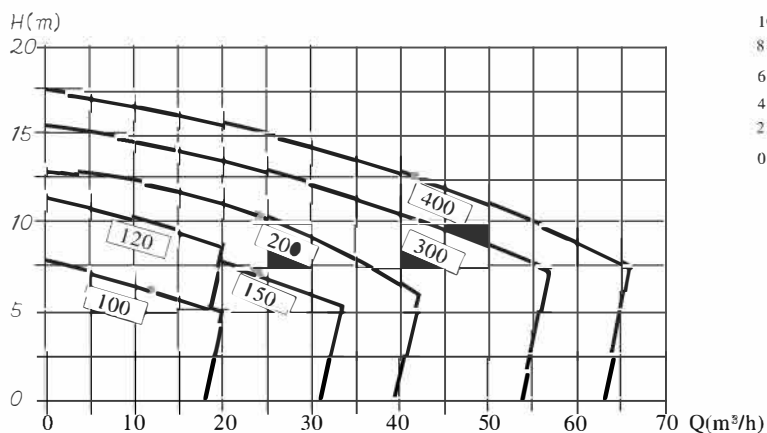


### Performance Data

n=2900rpm

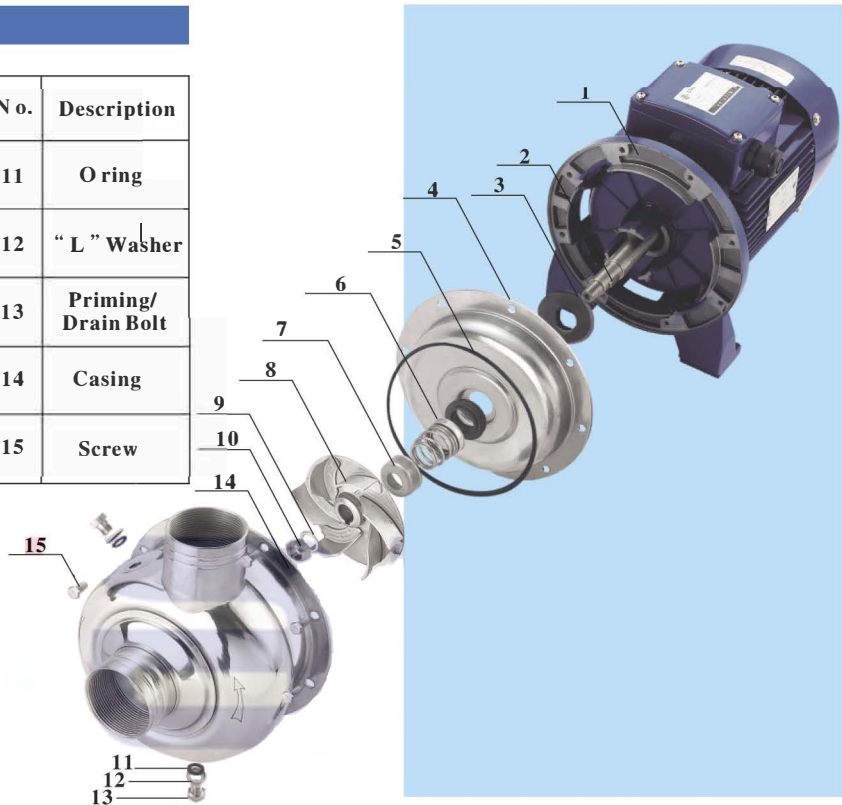
Model		Power		Capacity														
Single phase 220V 50HZ	Three phase 380V 50HZ	kW	HP	m <sup>3</sup> /h	1.2	2.4	3.6	4.8	6	12	18	24	33	42	48	57	66	
				1/min	20	40	60	80	100	200	300	400	550	700	800	950	1100	
				Head (m)														
BK50D	BK50	0.37	0.5		11.6	10.5	9.7	8.7	7.5									
BK100D	BK100	0.75	1.0						8	7	5							
BK120D	BK120	0.9	1.2						11	10	9							
BK150D	BK150	1.1	1.5						9.5	8.8	7.8	6.7	5					
BK200D	BK200	1.5	2.0						12.7	12	11.2	10	8.3	6.5				
BK300D	BK300	2.2	3.0						15	14	13.5	12.7	11.2	9.8	8.9	7.5		
—	BK400	3.0	4.0						17.5	16.8	16	15.2	14	12.5	11.5	9.7	7.5	

### BK Pump Curves



### Parts list:

N o.	Description	N o.	Description	N o.	Description
1	Motor	6	Mechanical seal	11	O ring
2	Key	7	Mech. Seal Carrier	12	" L " Washer
3	" V " Slinger	8	Impeller	13	Priming/ Drain Bolt
4	Back Cover	9	Spring washer	14	Casing
5	O ring	10	Impeller Nut	15	Screw



### Installation dimension

Model		A	B	C	D2	D2	E	F	H	H1	H2	H3	K	L	M	W	W1	DNA	DNM	Weight (kg)
BK50D	BK50	100	85	80	φ 46.6	φ 37	52	130	191	88	182	181	9	300	40	170	0	G1 1/4"	G1"	6.2
BK100D	BK100	120	90	84	φ 52	φ 52	75	160	226	108	211	210	9	358	40	170	20	G1 1/2"	G1 1/2"	10.5
BK120D	BK120	120	90	84	φ 52	φ 52	75	160	226	108	211	210	9	358	40	170	20	G1 1/2"	G1 1/2"	11
BK150D	BK150	140	75	101	φ 63	φ 63	82	180	253	120	260	230	9	403	40	193	20	G2"	G2"	15
BK200D	BK200	140	75	101	φ 63	φ 63	82	180	253	120	260	230	9	403	40	193	20	G2"	G2"	16
BK300D	BK300	140	90	101	φ 63	φ 63	82	180	253	120	268	240	9	435	40	193	20	G2 1/2"	G2"	22
—	BK400	140	90	101	φ 63	φ 63	82	180	253	120	/	240	9	435	40	193	20	G2 1/2"	G2"	24

H2 for motors on single phase      H3 for motors on three phase

### Outline dimension

