

Industrial hose pump

BTS
ENGINEERING

<https://prom-nasos.pro>

<https://bts.net.ua>

<https://prom-nasos.com.ua>

+38 095 656-37-57,

+38 067 360-71-01,

+38 063 362-12-31,

info@prom-nasos.pro



Industrial hose pump

High efficiency, high precision, to provide you with reliable products!

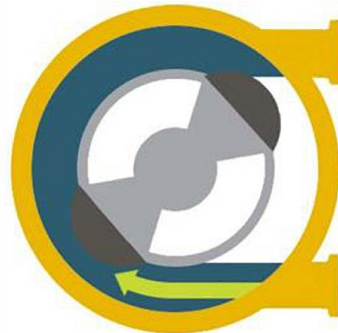
JXHIN Hose pump self demand! From precision casting to processing, all use high-precision equipment, parts adopt DMG seven axis five linkage high-precision machining, precision is more guaranteed, pump performance is more stable, the company has a professional team to carry out long-term research on hose pump, the design is more perfect, can provide the best choice for your various needs.

JXHIN The pump is made of mould casting and the shell is made of resin sand (nodular cast iron), reliable and durable! The casting has the following advantages: good comprehensive quality, strong structure, not easy to crack and produce blowholes, making the appearance more delicate, the pressure up to 16 bar, and the reliable quality basis is identified.

JXHIN Pump reduces your maintenance costs! New design, the core component of the hose with Italian brand matching, in a variety of harsh working conditions good performance.



Working principle



Product advantages

- 01** Suction lift capability up to 9.5 metres and self-priming.
- 02** Ideal for high viscosity or shear sensitive product.
- 03** Run-dry indefinitely without damage. $\pm 1\%$ metering accuracy.
- 04** Minimal maintenance - just change the hose.
- 05** Pumps abrasive slurries, corrosive acids, large solids and gaseous liquids with ease.
- 06** No ancillary equipment, check valves or sealing water flush systems.

Product parameters

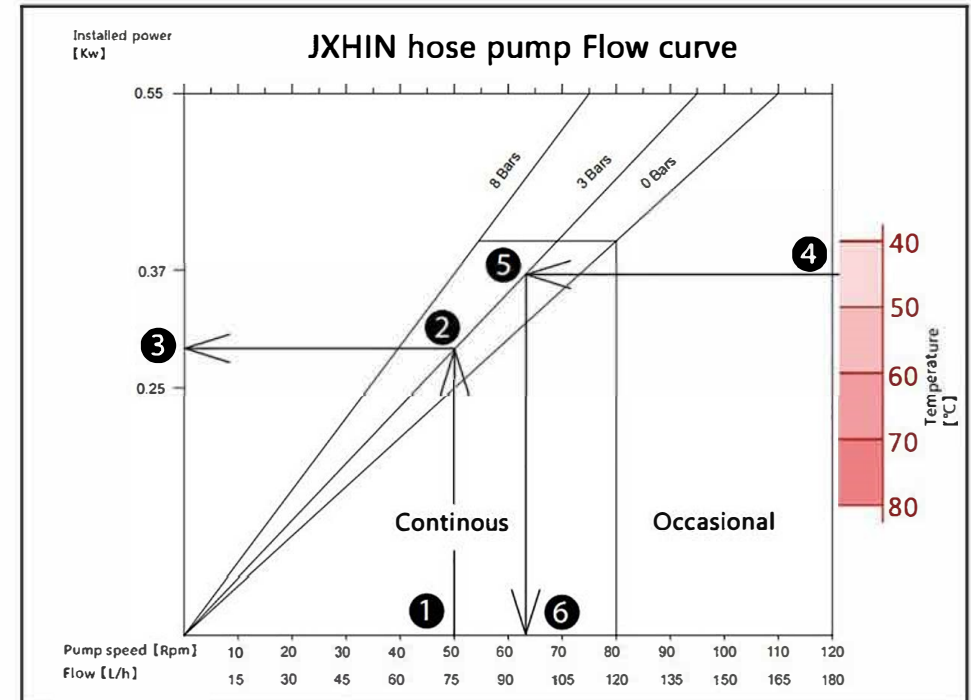
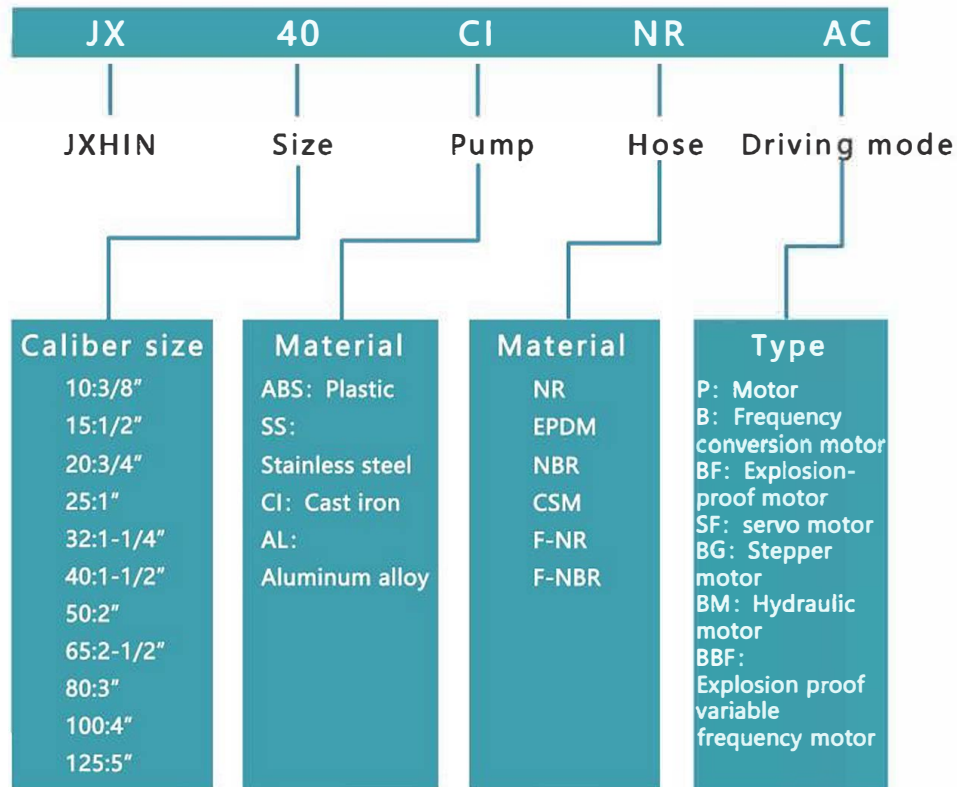
Model	Rated flow	Max pressure	Rated speed	Power	Weight
JX10	57L/H	10Bar	43rpm	0.37kw	27KG
JX15	215L/H	12Bar	43rpm	0.55kw	41KG
JX20	391L/H	10Bar	43rpm	0.55kw	41KG
JX25	792L/H	16Bar	44rpm	1.1kw	108KG
JX32	1650L/H	16Bar	44rpm	1.5kw	122KG
JX40	3280L/H	16Bar	41rpm	2.2kw	194KG
JX50	7175L/H	16Bar	41rpm	4kw	282KG
JX65	18000L/H	16Bar	45rpm	5.5kw	550KG
JX80	24500L/H	16Bar	35rpm	11kw	900KG
JX100	42000L/H	16Bar	35rpm	15kw	1300KG
JX125	66000L/H	16Bar	33rpm	22kw	2400KG

JXHIN



Industrial hose pump

High efficiency, high precision, to provide you with reliable products!



How to use the hose pump curve

1. Select the flow rate you need. This will give you the pump speed you need
2. Rise to calculate outlet pressure
3. Move left to find motor power
4. Determine the maximum temperature of the liquid
5. Move to the left to calculate outlet pressure
6. Move down to determine the maximum allowable pump speed under the subcutaneous layer of the liquid

JXHIN-10 Industrial hose pump



Material

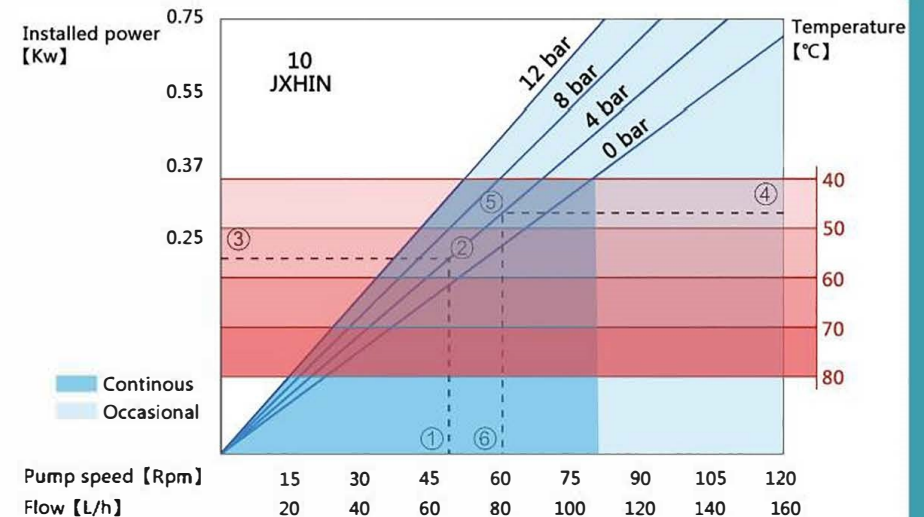
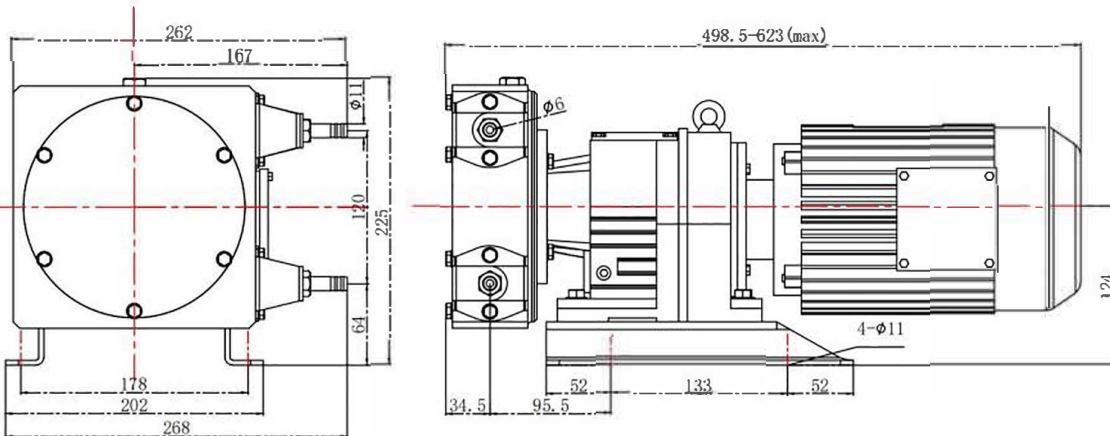
Pump material:
Aluminum alloy, ABS,
Stainless steel, Iron.

Hose Material:
NR EPDM
NBR CSM
F-NR F-NBR

The other parameters
Weight: 27 kg
Lubricating oil dosage: 0.2L

Main technical parameters

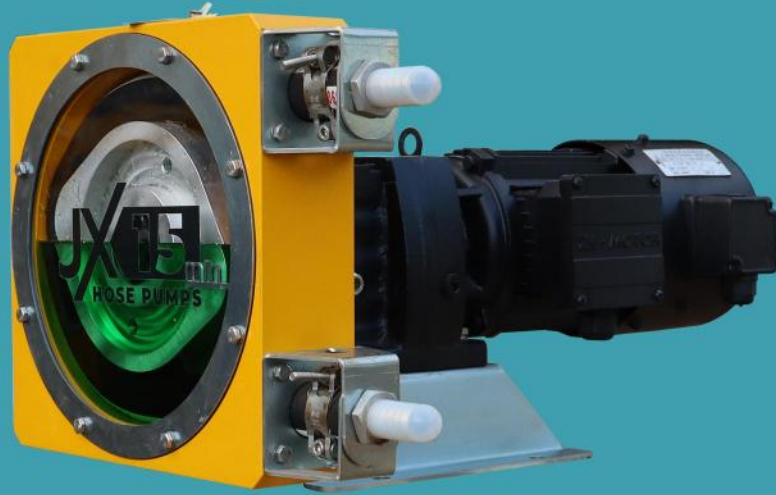
Self-priming height [m].....9.5(water)
Maximum particle
Diameter[mm].....1.5
Cliber size[inch].....3/8"
Motor power[kw].....0.25/0.37
Rated voltage[v].....220/380
Rated speed[r/min].....43
Capacity[L].....0.022
Rated flow[L/H].....57
Maximum flow[L/H].....160
Max pressure[bar].....10
Maximum head[m].....100



Note: All dimensions are in millimeters (mm);
The length of the motor will vary with different brands and types, please consult Juxin Pump industry for details.

Note: see P3 for the usage of graph.

JXHIN-15 Industrial hose pump



Material

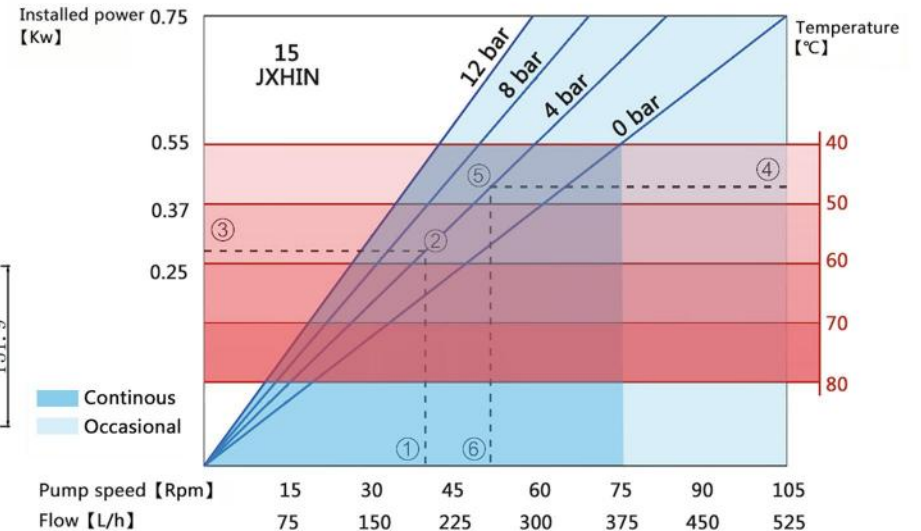
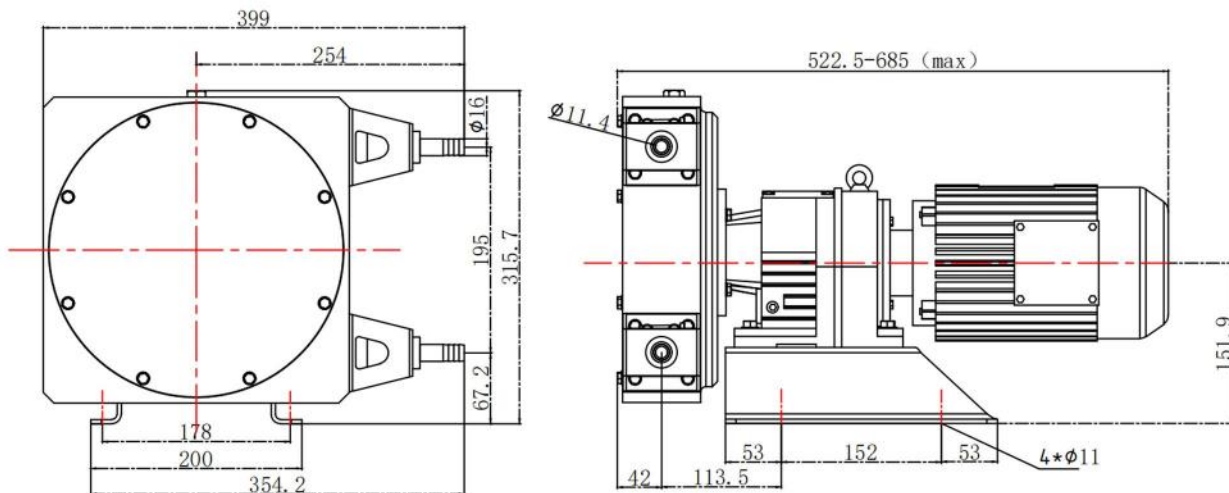
Pump material:
Aluminum alloy, ABS,
Stainless steel, Iron.

Hose Material:
NR EPDM
NBR CSM
F-NR F-NBR

The other parameters
Weight: 41 kg
Lubricating oil dosage: 0.6L

Main technical parameters

Self-priming height [m].....9.5(water)
Maximum particle
Diameter[mm].....2.5
Cliber size[inch].....1/2"
Motor power[kw].....0.55/0.75
Rated voltage[v].....220/380
Rated speed[r/min].....43
Capacity[L].....0.083
Rated flow[L/H].....215
Maximum flow[L/H].....525
Max pressure[bar].....12
Maximum head[m].....120



Note: All dimensions are in millimeters (mm);
The length of the motor will vary with different brands and types, please consult Juxin Pump industry for details.

Note: see P3 for the usage of graph.

JXHIN-20 Industrial hose pump



Material

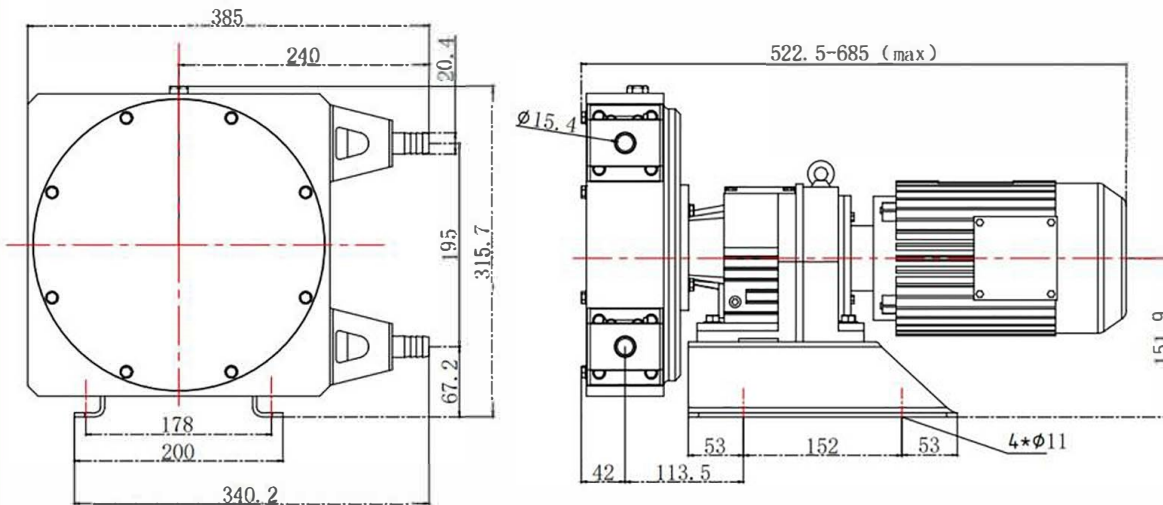
Pump material:
Aluminum alloy, ABS,
Stainless steel, Iron.

Hose Material:
NR EPDM
NBR CSM
F-NR F-NBR

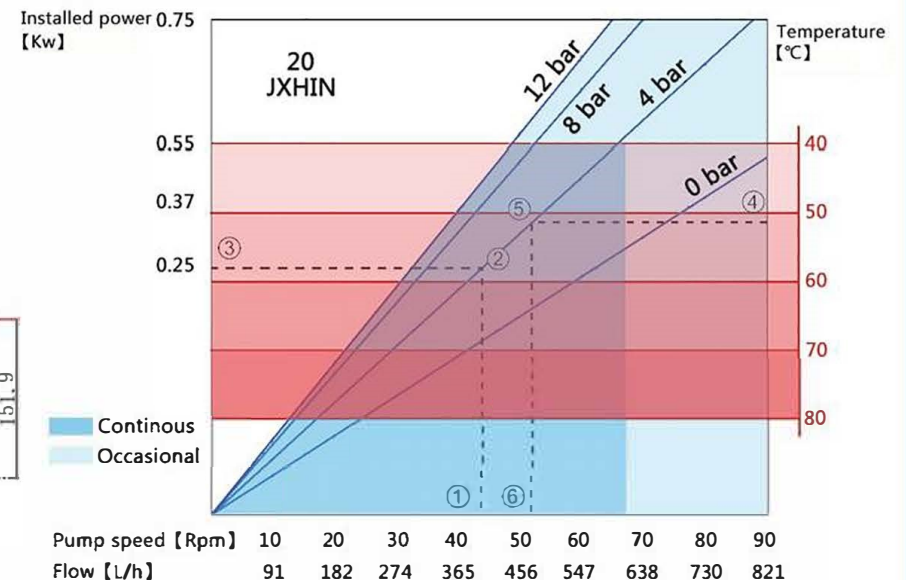
The other parameters
Weight: 41 kg
Lubricating oil dosage: 0.6L

Main technical parameters

Self-priming height [m].....9.5(water)
Maximum particle
Diameter[mm].....3.3
Cliber size[inch].....3/4 "
Motor power[kw].....0.55/0.75
Rated voltage[v].....220/380
Rated speed[r/min].....43
Capacity[L].....0.15
Rated flow[L/H].....391
Maximum flow[L/H].....821
Max pressure[bar].....10
Maximum head[m].....100



Note: All dimensions are in millimeters (mm);
The length of the motor will vary with different brands and types, please consult Juxin Pump industry for details.



Note: see P3 for the usage of graph.

JXHIN-25 Industrial hose pump



Material

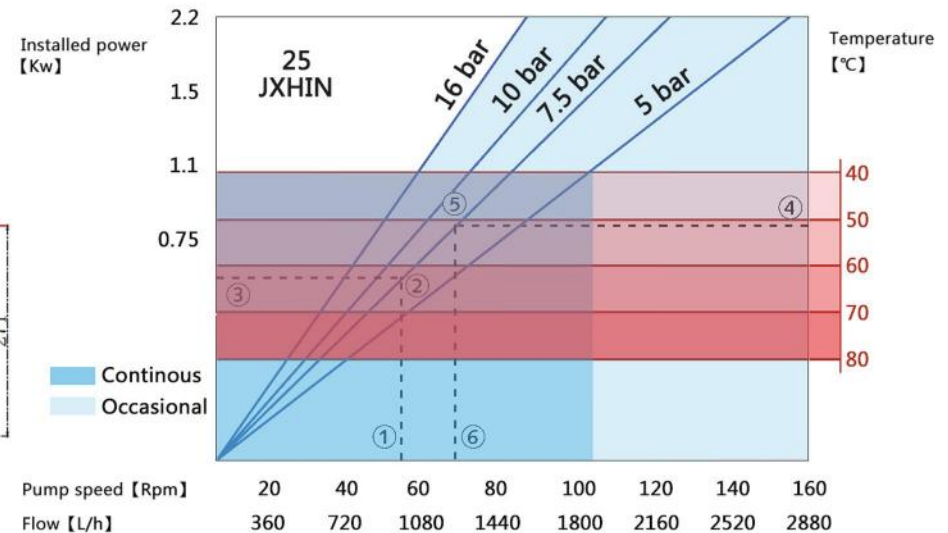
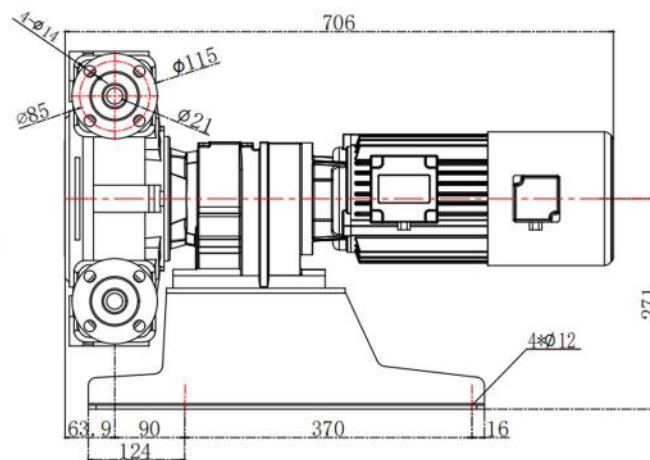
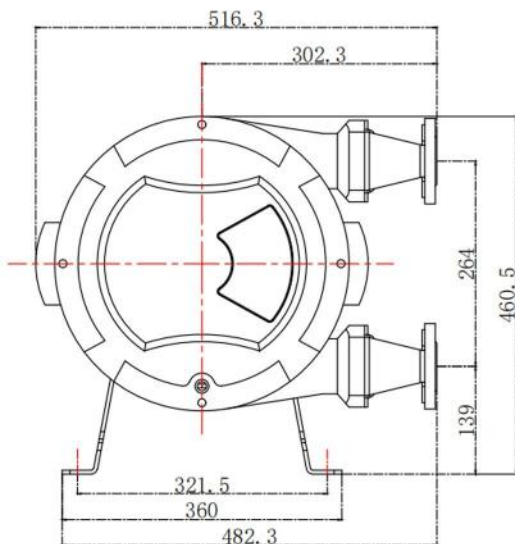
Pump material:
Aluminum alloy, ABS,
Stainless steel, Iron.

Hose Material:
NR EPDM
NBR CSM
F-NR F-NBR

The other parameters
Weight: 108 kg
Lubricating oil dosage: 2L

Main technical parameters

Self-priming height [m].....9.5(water)
Maximum particle
Diameter[mm].....4.2
Cliber size[inch].....1 "
Motor power[kw].....1.1/1.5
Rated voltage[v].....220/380
Rated speed[r/min].....44
Capacity[L].....0.3
Rated flow[L/H].....792
Maximum flow[L/H].....2880
Max pressure[bar].....16
Maximum head[m].....160



Note: All dimensions are in millimeters (mm);
The length of the motor will vary with different brands and types, please consult Juxin Pump industry for details.

Note: see P3 for the usage of graph.

JXHIN-32 Industrial hose pump



Material

Pump material: Cast iron
 Contact material: ABS,
 Stainless steel, titanium.

Hose Material:

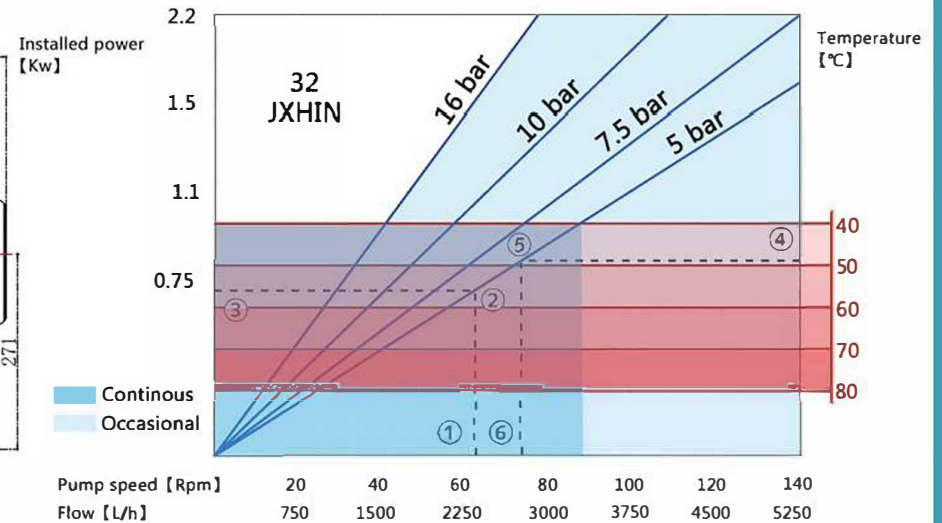
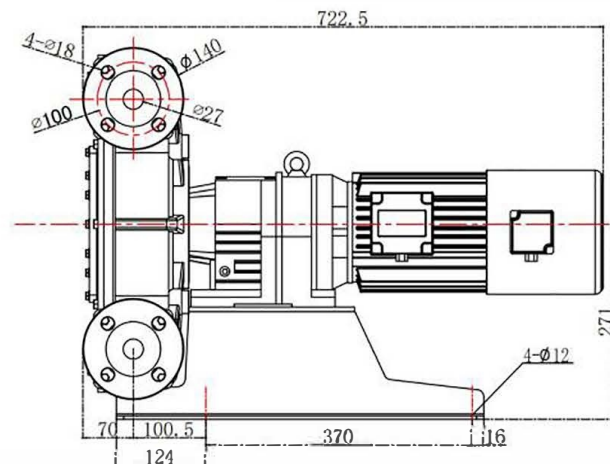
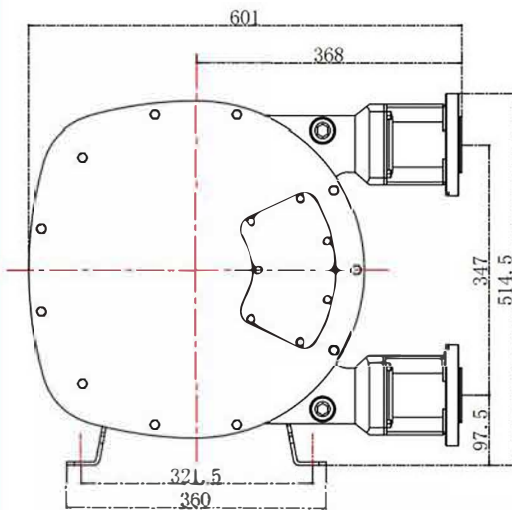
NR EPDM
 NBR CSM
 F-NR F-NBR

The other parameters

Weight: 122 kg
 Lubricating oil dosage: 3L

Main technical parameters

Self-priming height [m].....9.5(water)
 Maximum particle
 Diameter[mm].....5.4
 Cliber size[inch].....1-1/4"
 Motor power[kw].....1.5
 Rated voltage[v].....220/380
 Rated speed[r/min].....44
 Capacity[L].....0.63
 Rated flow[L/H].....1650
 Maximum flow[L/H].....5250
 Max pressure[bar].....16
 Maximum head[m].....160



Note: see P3 for the usage of graph.

JXHIN-40 Industrial hose pump



Material

Pump material: Cast iron
 Contact material: ABS,
 Stainless steel, titanium.

Hose Material:

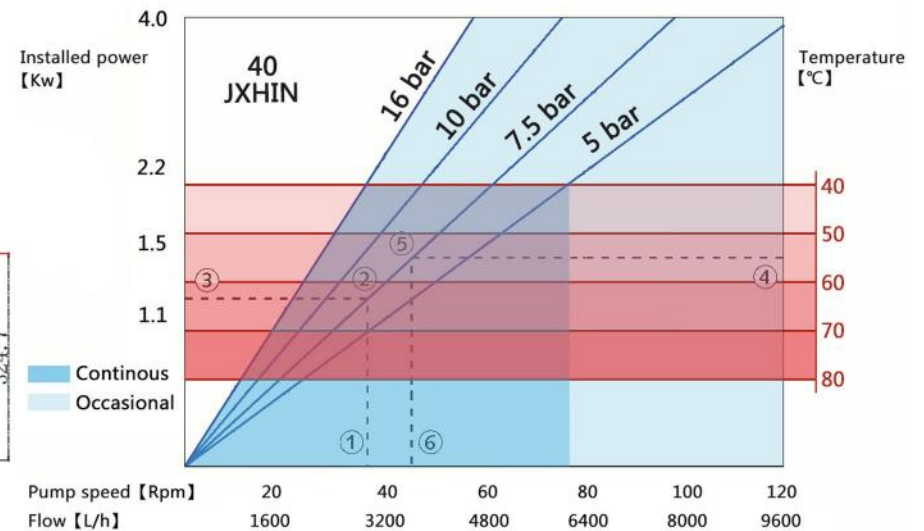
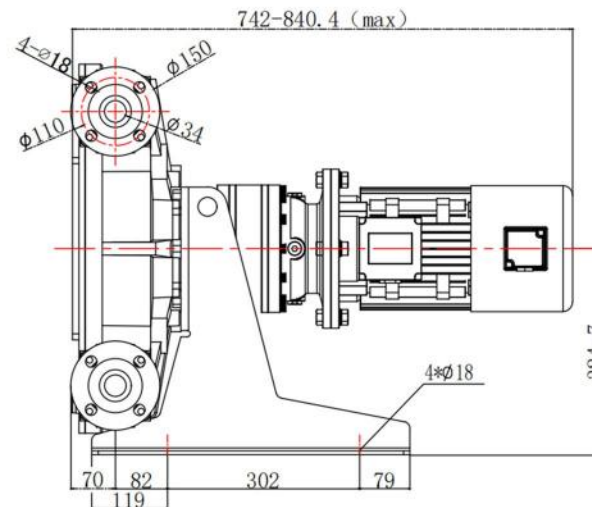
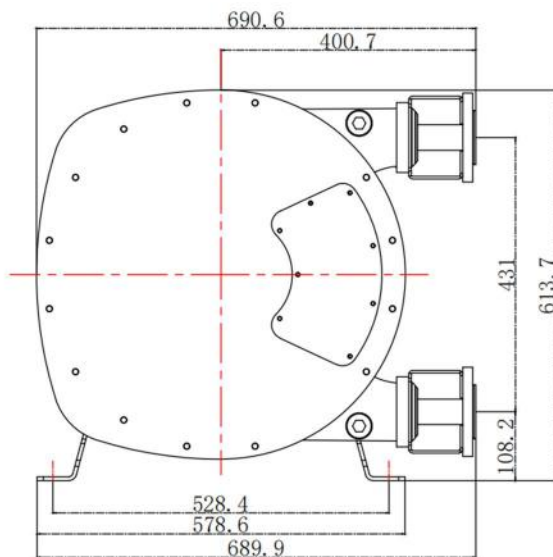
NR	EPDM
NBR	CSM
F-NR	F-NBR

The other parameters

Weight: 194 kg
 Lubricating oil dosage: 5L

Main technical parameters

Self-priming height [m].....9.5(water)
 Maximum particle
 Diameter[mm].....6.7
 Cliber size[inch].....1-1/2 "
 Motor power[kw].....2.2/4
 Rated voltage[v].....220/380
 Rated speed[r/min].....41
 Capacity[L].....1.3
 Rated flow[L/H].....3280
 Maximum flow[L/H].....9600
 Max pressure[bar].....16
 Maximum head[m].....160



Note: All dimensions are in millimeters (mm);
 The length of the motor will vary with different brands and types, please consult Juxin Pump industry for details.

Note: see P3 for the usage of graph.



JXHIN-50 Industrial hose pump

Material

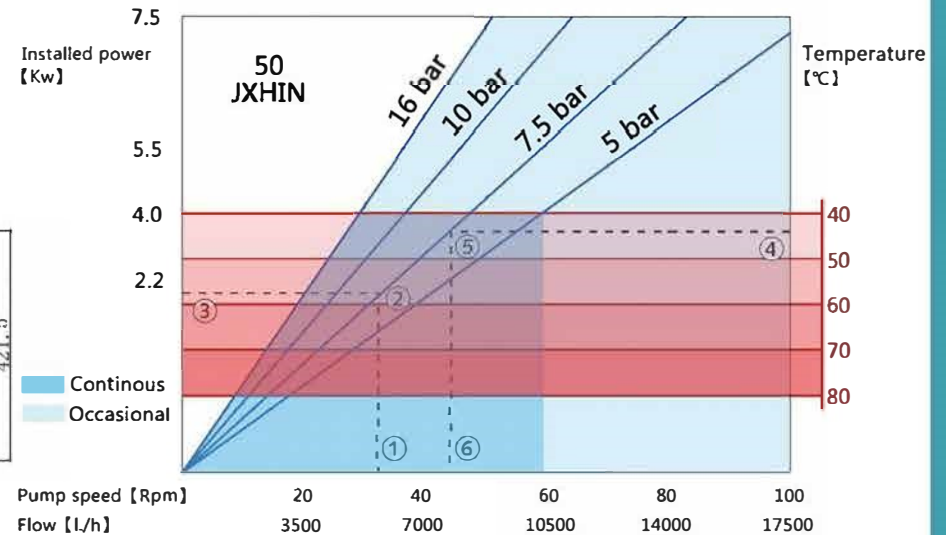
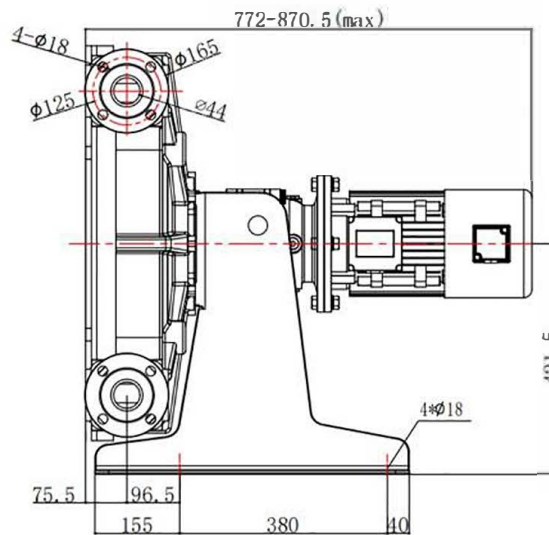
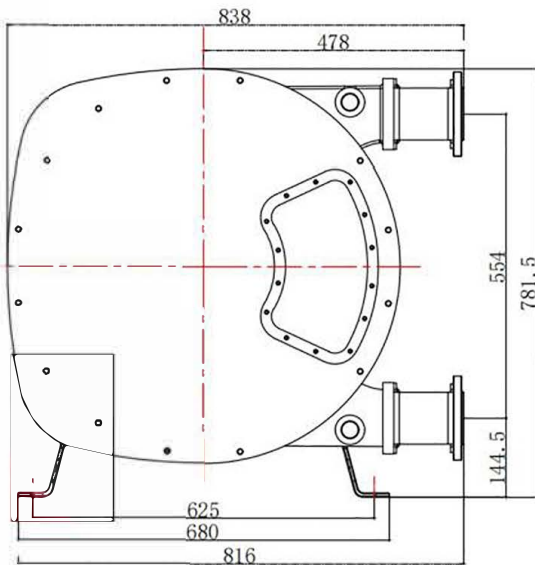
Pump material: Cast iron
 Contact material: ABS,
 Stainless steel, titanium.

Hose Material:
 NR EPDM
 NBR CSM
 F-NR F-NBR

The other parameters
 Weight: 282 kg
 Lubricating oil dosage: 10L

Main technical parameters

Self-priming height [m].....9.5(water)
 Maximum particle
 Diameter[mm].....8.3
 Cliber size[inch].....2"
 Motor power[kw].....4/5.5
 Rated voltage[v].....220/380
 Rated speed[r/min].....41
 Capacity[L].....2.9
 Rated flow[L/H].....7175
 Maximum flow[L/H].....17500
 Max pressure[bar].....16
 Maximum head[m].....160



Note: All dimensions are in millimeters (mm);
 The length of the motor will vary with different brands and types, please consult Juxin Pump industry for details.

Note: see P3 for the usage of graph.

JXHIN-65 Industrial hose pump



Material

Pump material: Cast iron
 Contact material: ABS,
 Stainless steel, titanium.

Hose Material:

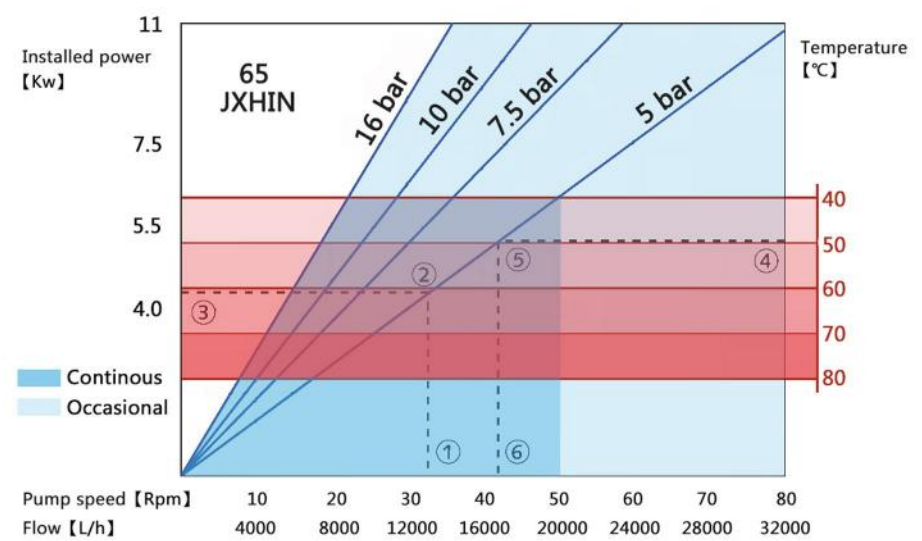
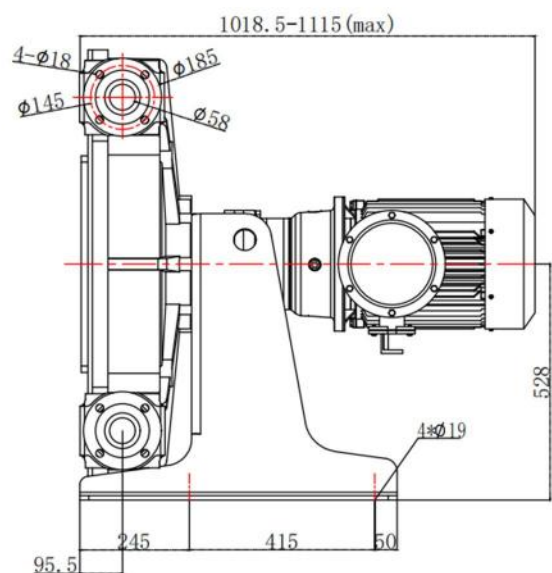
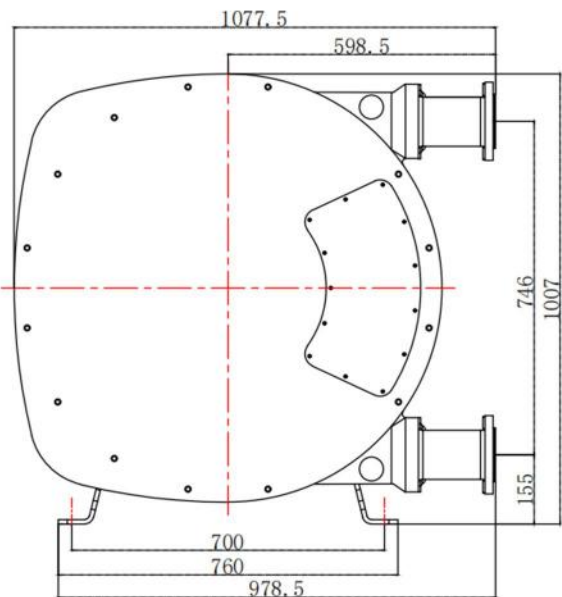
NR	EPDM
NBR	CSM
F-NR	F-NBR

The other parameters

Weight: 550 kg
 Lubricating oil dosage: 20L

Main technical parameters

Self-priming height [m].....9.5(water)
 Maximum particle
 Diameter[mm]..... 10.8
 Cliber size[inch].....2-1/2 "法
 Motor power[kw].....5.5/7.5
 Rated voltage[v].....220/380
 Rated speed[r/min].....45
 Capacity[L].....6.7
 Rated flow[L/H].....18000
 Maximum flow[L/H].....32000
 Max pressure[bar].....16
 Maximum head[m].....160



Note: All dimensions are in millimeters (mm);
 The length of the motor will vary with different brands and types, please consult Juxin Pump industry for details.

Note: see P3 for the usage of graph.

JXHIN-80 Industrial hose pump



Material

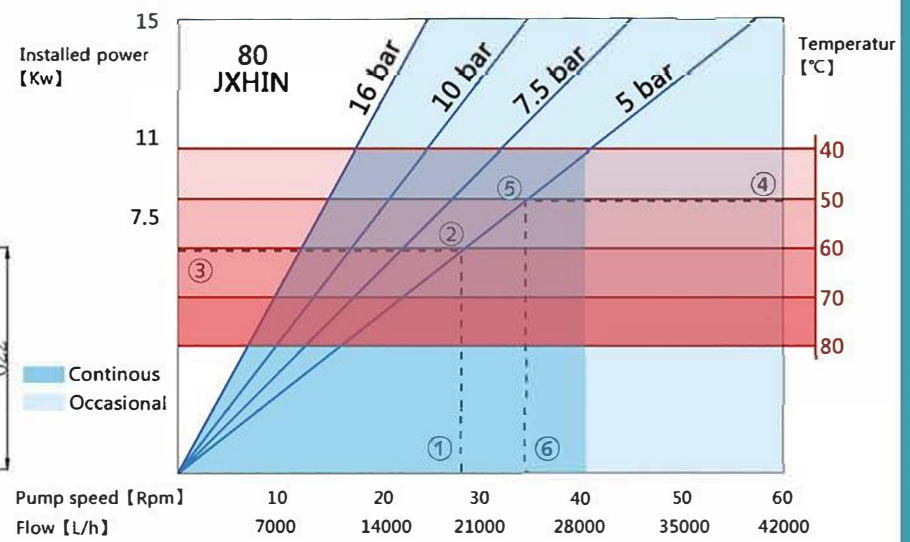
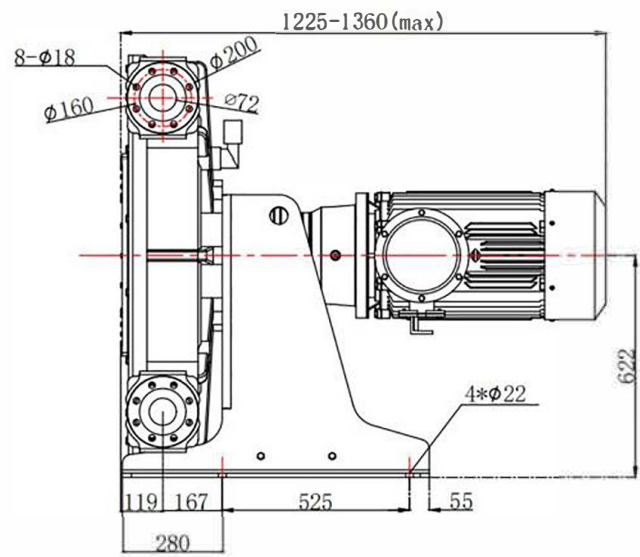
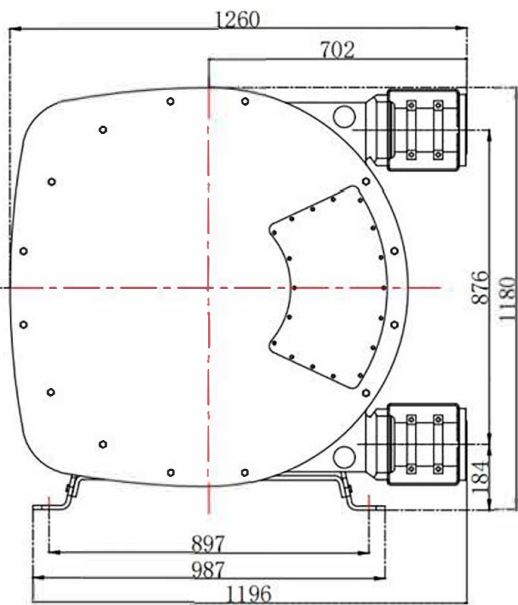
Pump material: Cast iron
 Contact material: ABS,
 Stainless steel, titanium.

Hose Material:
 NR EPDM
 NBR CSM
 F-NR F-NBR

The other parameters
 Weight: 900 kg
 Lubricating oil dosage: 30L

Main technical parameters

Self-priming height [m]..... 9.5(water)
 Maximum particle
 Diameter[mm]..... 13.3
 Cliber size[inch]..... 3"
 Motor power[kw]..... 7.5/11
 Rated voltage[v]..... 220/380
 Rated speed[r/min]..... 35
 Capacity[L]..... 11.7
 Rated flow[L/H]..... 24500
 Maximum flow[L/H]..... 42000
 Max pressure[bar]..... 16
 Maximum head[m]..... 160



Note: All dimensions are in millimeters (mm);
 The length of the motor will vary with different brands and types, please consult Juxin Pump industry for details.

Note: see P3 for the usage of graph.

JXHIN-100 Industrial hose pump



Material

Pump material: Cast iron
 Contact material: ABS,
 Stainless steel, titanium.

Hose Material:

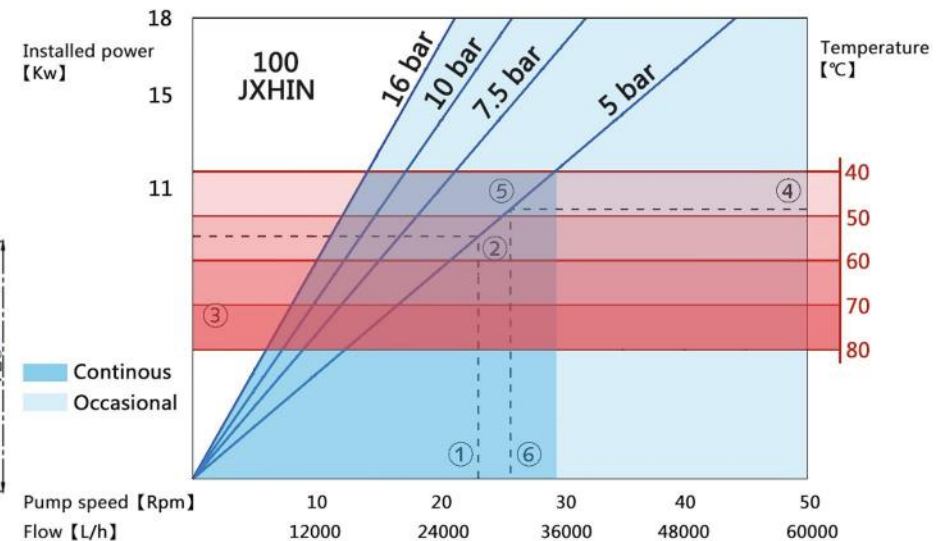
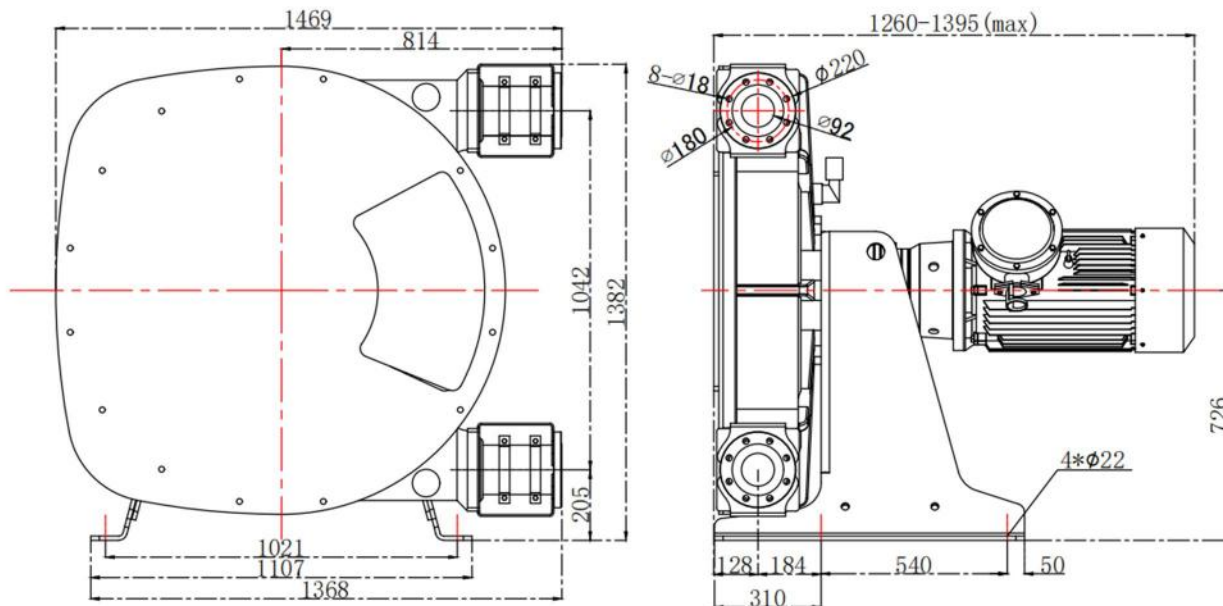
NR	EPDM
NBR	CSM
F-NR	F-NBR

The other parameters

Weight: 14000 kg
 Lubricating oil dosage: 40L

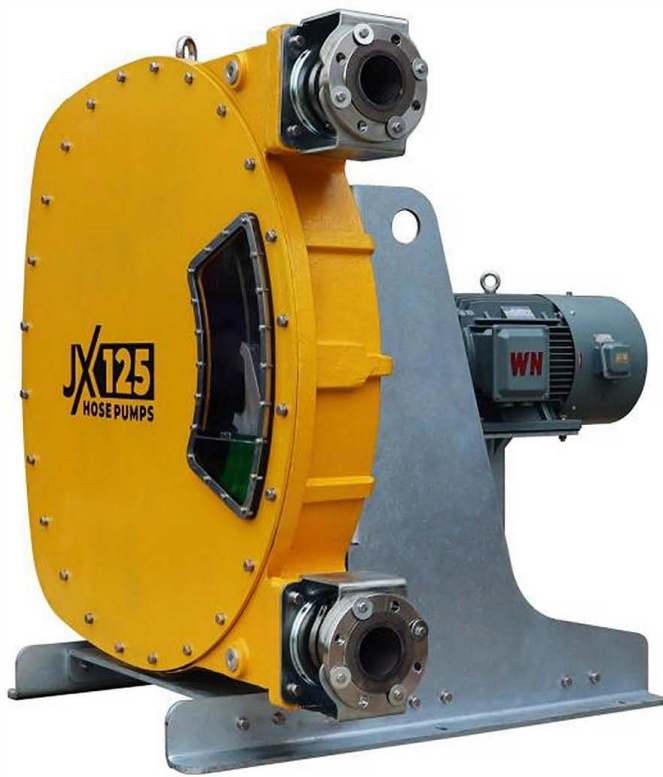
Main technical parameters

Self-priming height [m].....9.5(water)
 Maximum particle
 Diameter[mm].....1.5
 Cliber size[inch].....4"
 Motor power[kw].....11/15
 Rated voltage[v].....220/380
 Rated speed[r/min].....35
 Capacity[L].....20
 Rated flow[L/H].....42000
 Maximum flow[L/H].....60000
 Max pressure[bar].....16
 Maximum head[m].....160



Note: All dimensions are in millimeters (mm);
 The length of the motor will vary with different brands and types, please consult Juxin Pump industry for details.

Note: see P3 for the usage of graph.



JXHIN-125 Industrial hose pump

Material

Pump material: Cast iron
 Contact material: ABS,
 Stainless steel, titanium.

Hose Material:

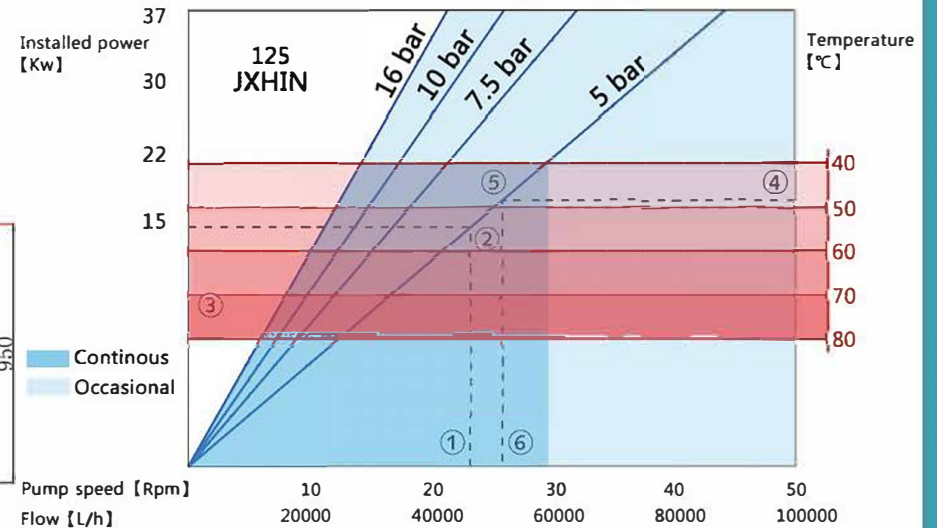
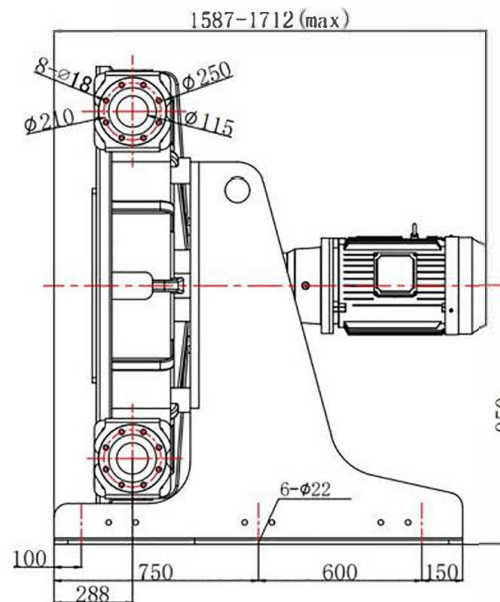
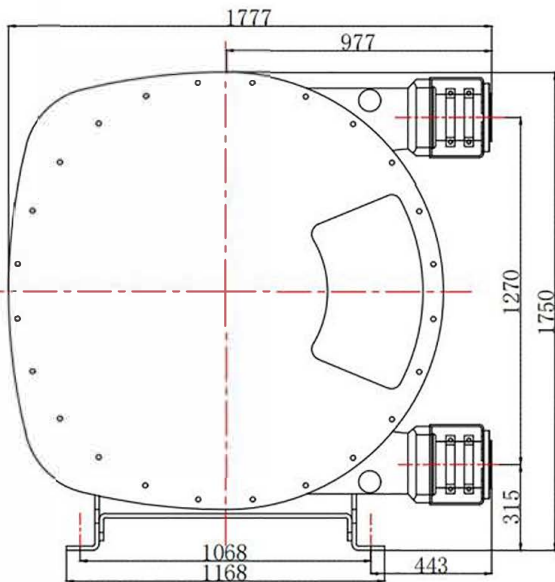
NR	EPDM
NBR	CSM
F-NR	F-NBR

The other parameters

Weight: 2400 kg
 Lubricating oil dosage: 60L

Main technical parameters

Self-priming height [m].....9.5(water)
 Maximum particle
 Diameter[mm].....21
 Cliber size[inch].....5 "
 Motor power[kw].....22
 Rated voltage[v].....220/380
 Rated speed[r/min].....33
 Capacity[L].....33.3
 Rated flow[L/H].....66000
 Maximum flow[L/H].....100000
 Max pressure[bar].....16
 Maximum head[m].....160









Note: All dimensions are in millimeters (mm);
 The length of the motor will vary with different brands and types, please consult Juxin Pump industry for details.

Note: see P3 for the usage of graph.

The hose is the key



A variety of materials to deal with different medium better choice!

Features		Temperature		Features		Temperature	
NR 	Outstanding abrasion resistance. Generally resistant to diluted acids and alcohols.	-20~80 (°C)	NR	CSM 	Outstanding chemical resistance to highly concentrated acids and bases.	-20~85 (°C)	CSM
EPDM 	Excellent chemical resistance, especially to ketones, alcohols and concentrated acids.	-20~100 (°C)	EPDM	F-NR 	White inner surface, easy to eat Physical contact applies to all kinds of food Products, including dairy products.	-20~80 (°C)	F-NR
NBR 	Resistant to oils, greases, alkalis and detergents.	-20~80 (°C)	NBR	F-NBR 	White inner surface, easy to eat Physical contact applies to all kinds of food Products, including fatty foods.	-20~80 (°C)	F-NBR

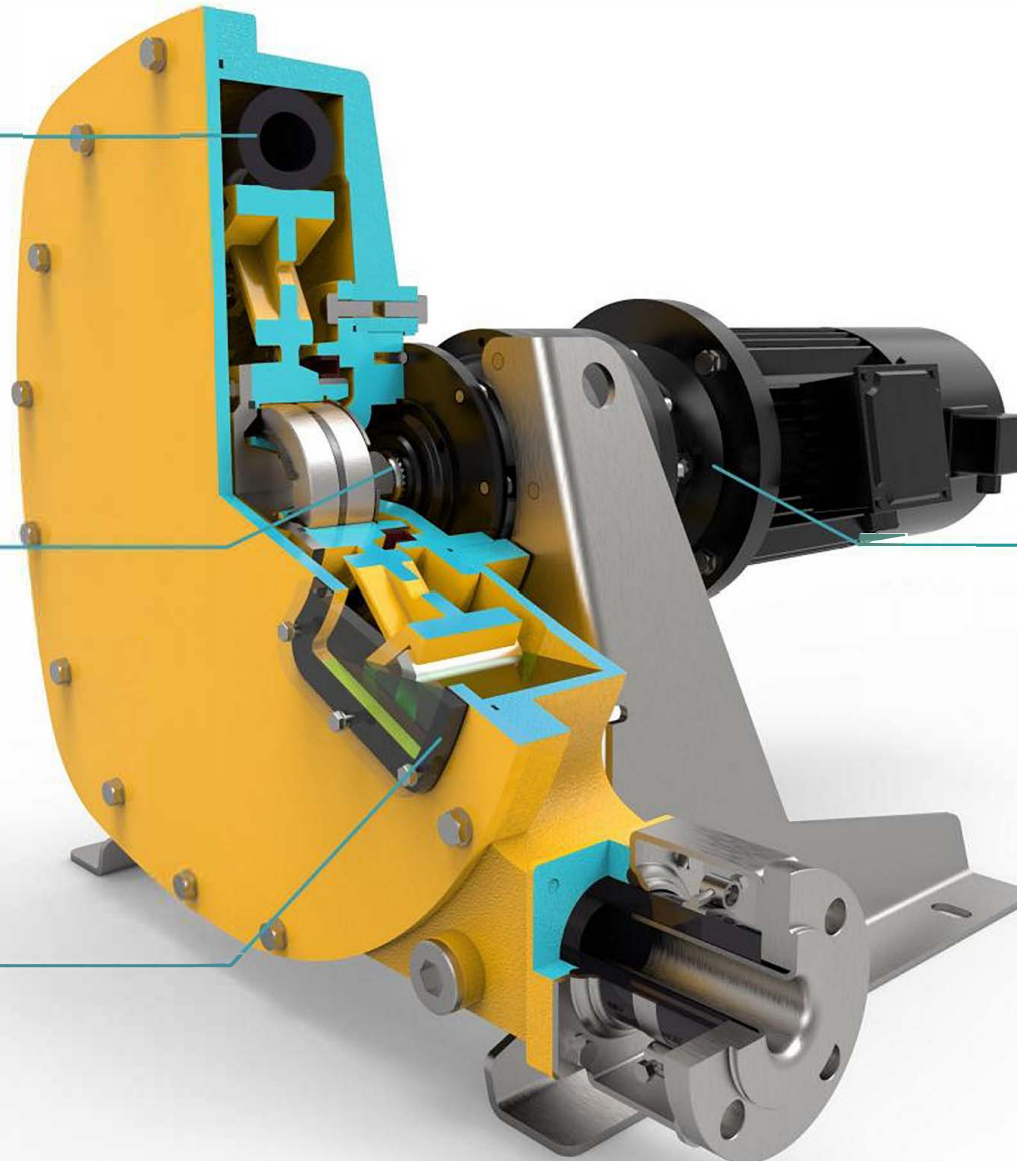
Novel interior construction

It lays the foundation for easy use and stable performance

Equipped with imported hose, normal service life nearly 3000 hours, extending your maintenance cycle.

Spline shaft drive, large torque, guide good orientation, uniform force, stress concentration small, long service life.

Cavity filled with hose pump special lubricating oil, This will effectively increase the hose life, but also can play a role in cooling.



A novel structure of the hose pump, more transmission. the hose pump maintenance is more simple, with parts (including reducer, motor) are available to replace directly.

Equipped with planetary reducer, which has a volume small, high bearing capacity, high torque and low noise, smooth operation, long service life and other advantages.

Fully enclosed pump chamber, even if the hose is broken will not make the transmission medium leakage.

Application Case Presentation

High efficiency, high precision, to provide you with reliable products!

