

MB 160

HORIZONTAL CENTRIFUGAL PUMPS



Product designed and constructed in Italy

Constructed in polypropylene or PVDF

Under head use

Weld-free

Usable with fluids containing suspended solids

Extremely easy to maintain

Suitable for continuous use

Available with:

- Mechanical bellows seal (new generation "Self-locking" system)

Aisi 304 spring - Seal ring in SILICON CARBIDE + CERAMIC / SILICON CARBIDE + SILICON CARBIDE

- Lip seal: VITON® or EPDM



MB PUMPS CODES ENCODING

ex. MB080--P-TLVN

MB 80 PP, Viton® lip seal, three-phase motor.

MB80	P	TLV	N
PUMP MODEL	PUMP PUMP	TYPE OF SEAL	MOTOR
MB 80 - MB 80 MB 100 - MB 100 MB 110 - MB 110 MB 120 - MB 120 MB 130 - MB 130 MB 140 - MB 140 MB 150 - MB 150 MB 155 - MB 155 MB 160 - MB 160 MB 180 - MB 180	P - Polypropylene FC - PVDF+CF	TLV - Viton® lip seal TLD - EPDM lip seal TSV - Viton® bellows seal TSD - EPDM bellows seal	N* - Three-phase motor M - Single-phase motor A - ATEX motor

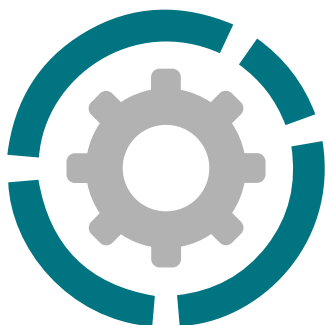
* Three-phase asynchronous eurotension motor fitted as standard (2 poles) 50Hz

MB 160

HORIZONTAL CENTRIFUGAL PUMPS



Specifications and types



Suction fittings	G 2" 1/2 f or DN 65
Delivery fittings	G 2" m or DN 50
Max flow rate	55 m ³ /h
Max head	32 m
Viscosity up to	500 cps
Standard open impeller	Ø 162 mm H 11 mm -10 ° *
Passing solids	Ø max 9 mm

* Special versions are available on request for the fluid pumped

PP



Pump casing construction material, operating temperature and net weight

Polypropylene (with glass additive)	9.8 Kg*
	Max 3°C min.
	65°C max
PVDF (with carbon additive)	12.2 Kg*
	Max 3°C min.
	95°C max

* The weights refer to the pump without the motor

Standard electric motor:

Kw	7.5
HP	10
Box	B3 + B5
RPM	2900
THREE-PHASE 400/690 V	
50/60 Hz	
2 poles	
Efficiency class	IE3
IP55 protection rating	
Ambient temperature -30°C + 45°C	
Aluminium/Cast iron	
ATEX	on request

PVDF



MAIN APPLICATION SECTORS



CHEMICAL INDUSTRY



WATER AND SLUDGE
TREATMENT



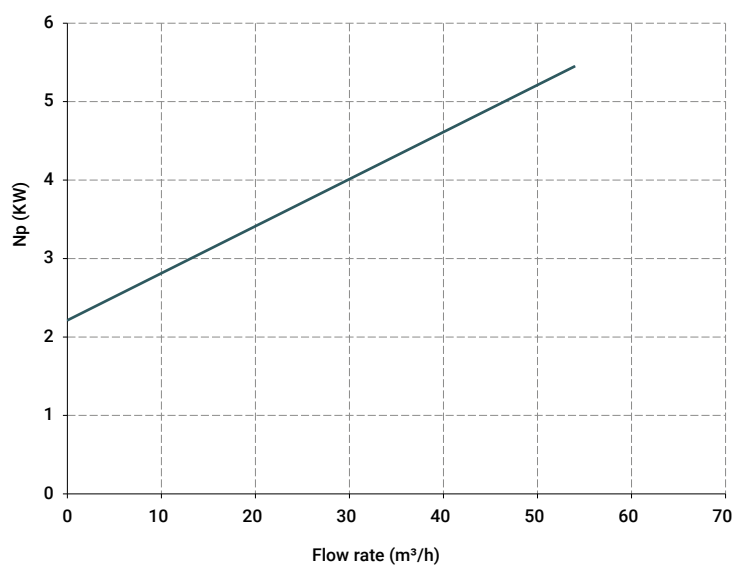
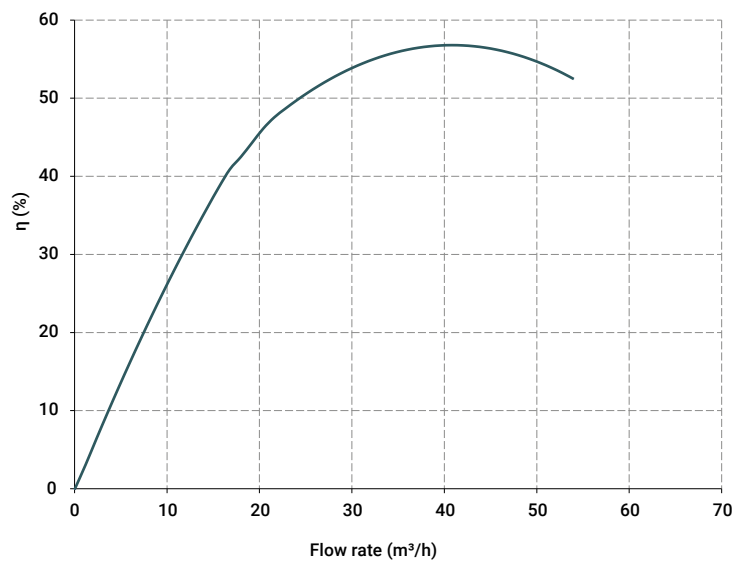
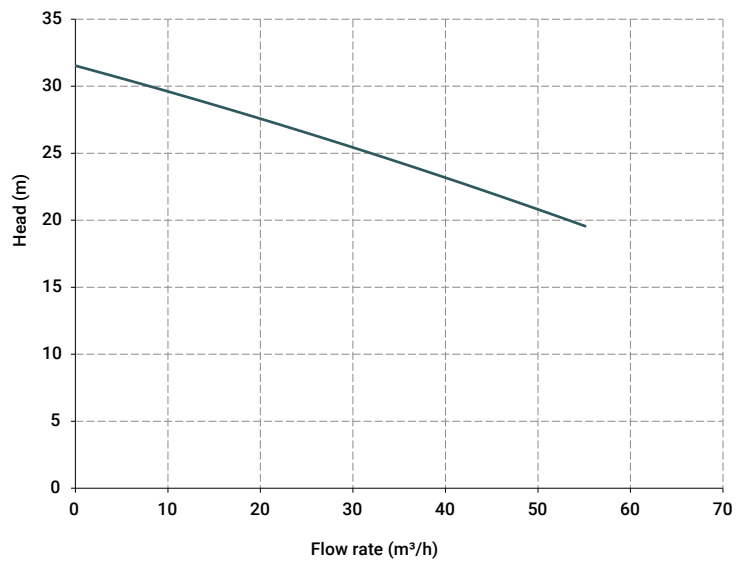
GALVANIC AND ELECTRONIC
INDUSTRY

MB 160

HORIZONTAL CENTRIFUGAL PUMPS



Specifications and types



The curves and the performances refer to pumps with open delivery outlet, with water at 20°C, 50 Hz two-pole motor (2900 RPM).

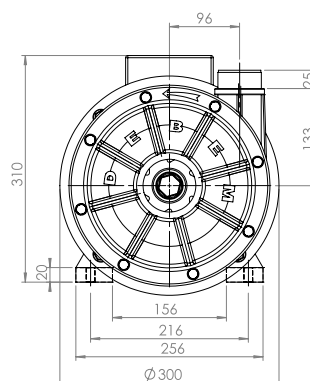
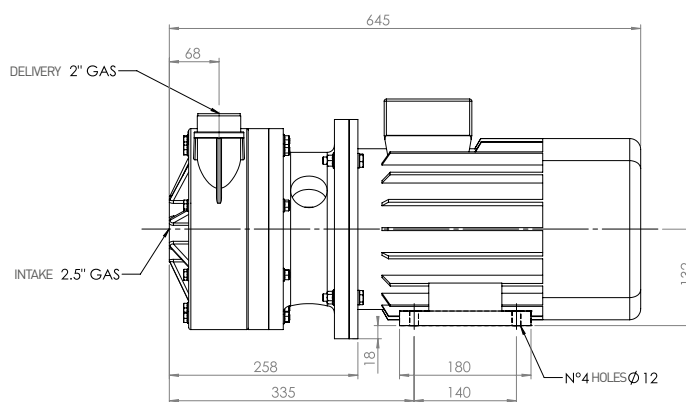
MB 160

HORIZONTAL CENTRIFUGAL PUMPS

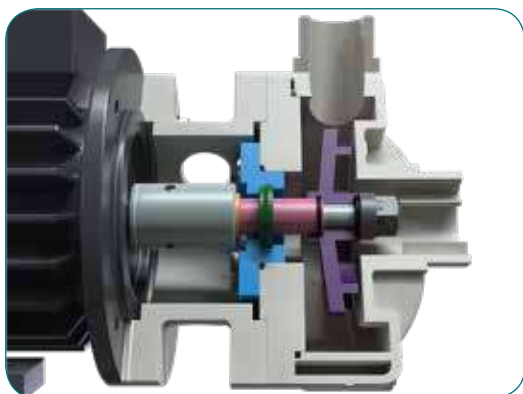


Specifications and types

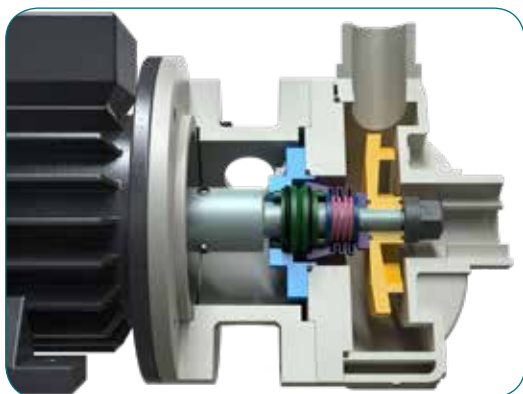
Pump	Motor power
MB 80	0.37 Kw - 0.5 HP
MB 100	0.55 Kw - 0.75 HP
MB 110	1.1 Kw - 1.5 HP
MB 120	1.5 Kw - 2 HP
MB 130	2.2 Kw - 3 HP
MB 140	3 Kw - 4 HP
MB 150	4 Kw - 5.5 HP
MB 155	5.5 Kw - 7.5 HP
MB 160	7.5 Kw - 10 HP
MB 180	11 Kw - 15 HP



TL = lip seal



TS = bellows seal



Seal o-ring materials:

- EPDM
- VITON®

Package:

- wooden crate
cm 70 x 45 x 55 – weight 16 Kg
(The weight refers to the package only, without the pump)

Accessories

- FLANGE KIT (DIN standard - ANSI available on request):
 - KITFLANGMB160P (POLYPROPYLENE)
 - KITFLANGMB160F (PVDF)

Polypropylene or PVDF basket strainers