



Every Day We are IN your life!

BTS
ENGINEERING

<https://prom-nasos.pro>

<https://bts.net.ua>

<https://prom-nasos.com.ua>

+38 095 656-37-57,

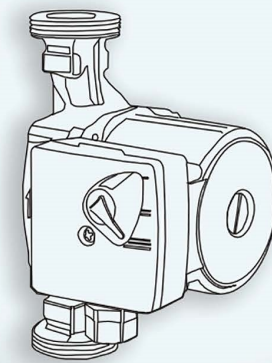
+38 067 360-71-01,

+38 063 362-12-31,

info@prom-nasos.pro



HGR



● **Booster Pump Series** ● **Circulating Pump Series** ● **Intelligent Pump Series** ●

CE ISO 9001



Applications

For heating system, mansions of city, villa of suburb house
To match with industrial equipment, supply water in cycle for cooling air-condition, boiler and solar energy,
To supply hot water and keep warm in cycle

Operating conditions

Maximum fluid temperature up to +110°C

Motor and Pump

- Copper winding
- Built-in thermal protector
- Ceramic shaft
- Ceramic bearing
- PP impeller
- Supply iron flange for each unit

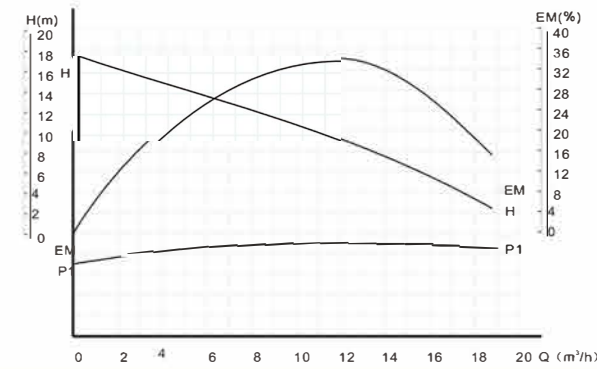
Options on request

- Different cable length and plug
- Voltage and frequency 50Hz or 60Hz

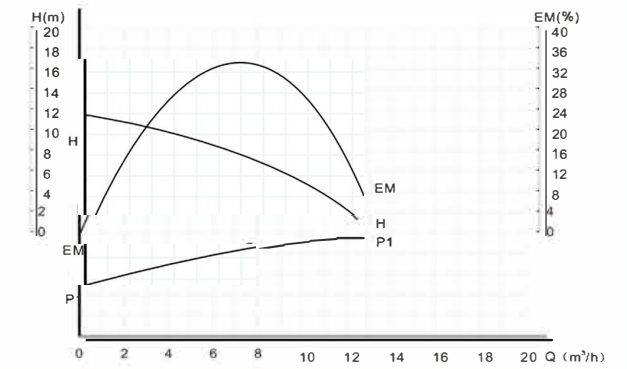
Warranty: 1 year

(According to our general sales conditions).

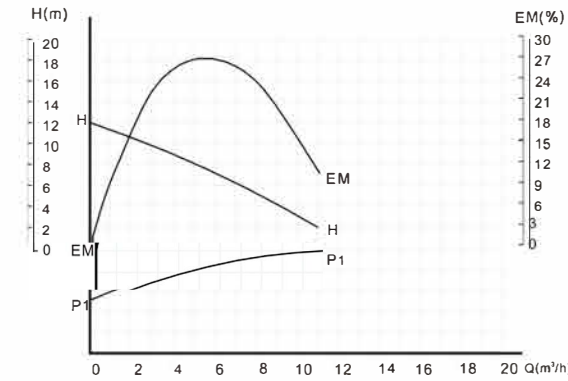
HGR750 HGR750-DN40 HGR750-DN50



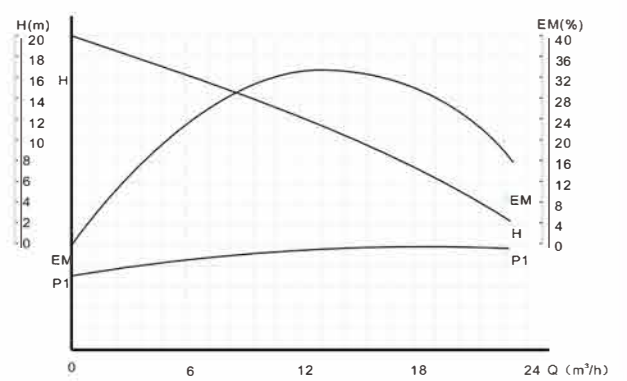
HGR550 HGR550-DN40 HGR550-DN50



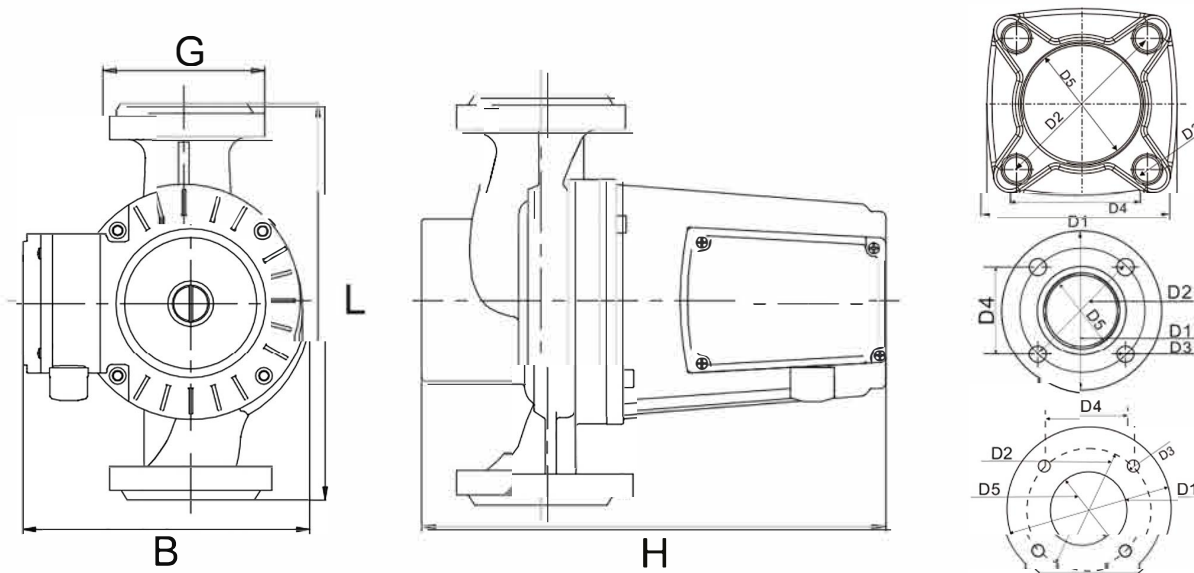
HGR370GF HGR370



HGR1100 HGR1100-DN40 HGR1100-DN50



HGR370GF HGR550 HGR750 HGR1100



Model	Power (W)	Max. Flow (m³/h)	Max. Head (m)	Voltage			PUMP Dimension(mm)					Flange Dimension(mm)					Weight (Kg)			
				220V/50Hz	220V/60Hz	380V/50Hz	L	B	B1	H	G	D1	D2	D3	D4	D5				
HGF370	400	10.2	11	★	★	★	224	180	59.5	210	2"									9
HGR370GF	400	10.5	11	★	★	★	224	163	92	253	2"	93	90.5	12	64	57.2				11
HGR550	550	10.5	12	★	★	★	225	160	126	253	2"	128	99	12	70	57.2				14.5
HGR750	750	18.6	17	★	★	★	255	219	126	314	2"	128	99	12	70	57.2				24
HGR1100	1100	23.1	18	★	★	★	255	219	126	314	2"	128	99	12	70	57.2				25
HGR550-DN40	550	12	12	★	★	★	225	162	150	255	2"	150	100	12	77.8	57.2				16
HGR750-DN40	750	18.6	17	★	★	★	255	219	150	249	2"	150	100	12	77.8	57.2				25
HGR1100-DN40	1100	23.1	20	★	★	★	255	219	150	249	2"	150	100	12	77.8	57.2				25.5
HGR550-DN50	550	12	12	★	★	★	225	162	165	255	2"	165	110	12	88.4	57.2				16.5
HGR750-DN50	750	18.6	17	★	★	★	255	219	165	249	2"	165	110	12	88.4	57.2				26
HGR1100-DN50	1100	23.1	20	★	★	★	255	219	165	249	2"	165	110	12	88.4	57.2				27
HGR1500-DN65	1500	28	13	★	★	★	300	211	185	304	2.5"	165	145	18	102.5	72.5				28