

QEEHUA[®]

CHEMICAL PUMP & FILTER
WITH ACID-ALKALI RESISTANCE
EXPERT IN R&D AND MANUFACTURING

BTS
ENGINEERING

<https://prom-nasos.pro>

<https://bts.net.ua>

<https://prom-nasos.com.ua>

+38 095 656-37-57

+38 067 360-71-01

+38 063 362-12-31

info@prom-nasos.pro

Inside Vertical Pump

Model : QP

Inside vertical pump [QP series]



Product specification

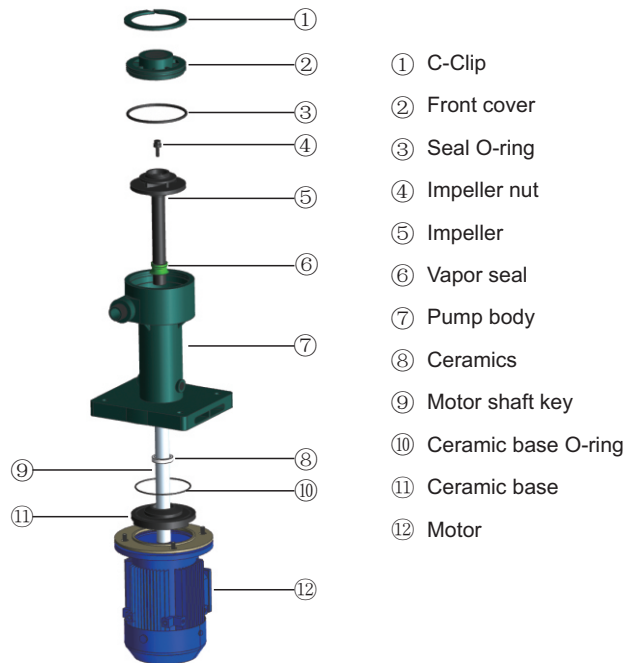
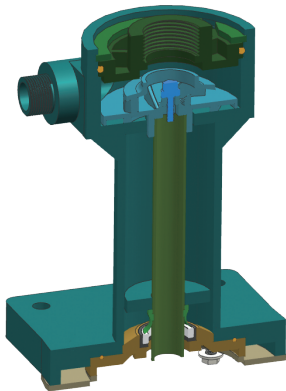
QP series								
Model	Outlet diameter (mm)	Horsepower	Phase ∅	Max.Head (m)		Max.Capacity (L/min)		Weight (kg)
				50HZ	60HZ	50HZ	60HZ	
QP-20SK-1/8	20	1/8	1	1	1.5	24	32	3
QP-20SK-1/6	20	1/6	1	3	3	60	75	4
QP-20SK-1/4	20	1/4	1, 3	6	8	70	85	13
QP-20SK-1/3	20	1/3	1, 3	6.5	9	80	100	13
QP-25SK-1/2	25	1/2	1, 3	8	10	150	165	20
QP-40SK-1	40	1	3	11	12	240	225	20
QP-40SK-2	40	2	3	13	18	290	340	24

Model description

QP--40--SK--1--5--V--F

① ② ③ ④ ⑤ ⑥ ⑦

- ① Model No.: QP
- ② Outlet: 20-3/4" ; 25-1" ; 40-1.5"
- ③ S.G: SK-1.1 ; SP-1.4
- ④ Horsepower: 1/8HP ; 1/6HP ; 1/4HP ; 1/3HP ; 1/2HP ; 1HP ; 2HP
- ⑤ Frequency: 5-50HZ ; 60-60HZ
- ⑥ O-Ring: E-EPDM ; V-VITON
- ⑦ Pump material: F-GFRPP ; P-PVDF



Product characteristics :

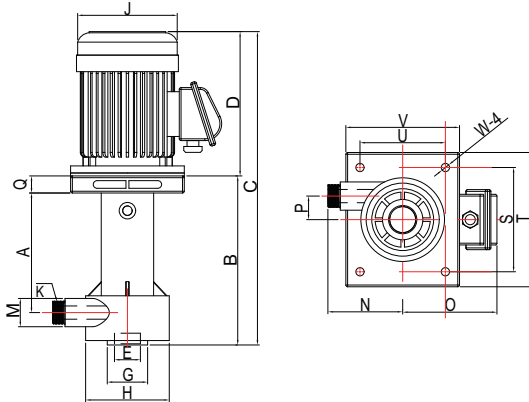
1. GFRPP、PVDF plastic steel are employed for injection molding, with strong acid and alkali resistance and can resist most of the chemical properties.
2. It can be used in idle.
3. It is suitable for various acid alkali liquid circulation, spray washing equipment and waste gas tower.

Product superiority :

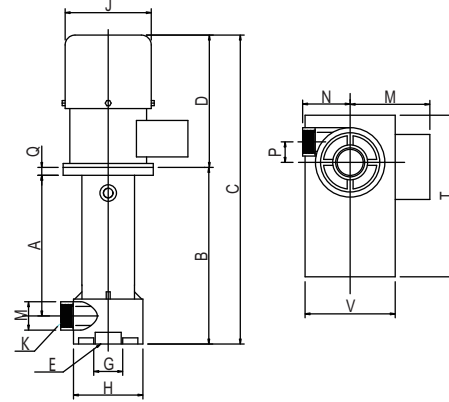
1. GFRPP and PVDF materials are used, which is resistant to various corrosive liquids such as strong sulfuric acid, hydrochloric acid and sodium hydroxide, with high temperature resistance of 70°C -95°C , high pressure resistance and no cracking;
2. The pump head and the body are injection molded by virtue of mould, which is durable and corrosion-resistant, reducing the probability of leakage;
3. It is equipped with high-end foreign brand motors, with high efficiency and low noise;
4. The pump shaft is integrated with motor and rotor to ensure the accuracy and stability of operation.

Size specification

VP-1/4 ~ 2HP

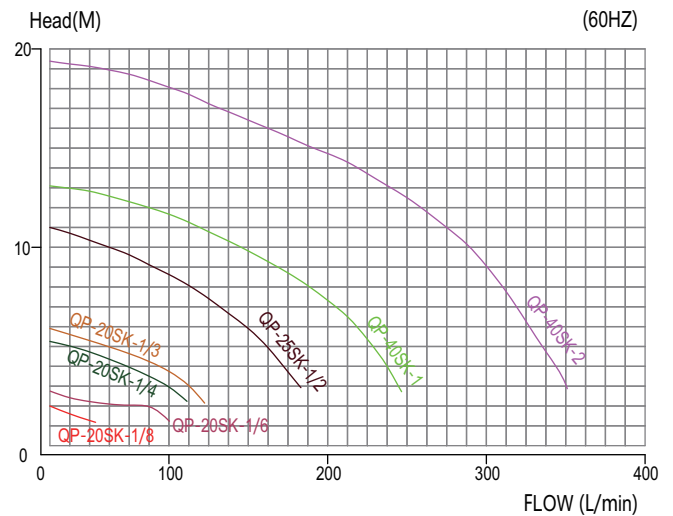
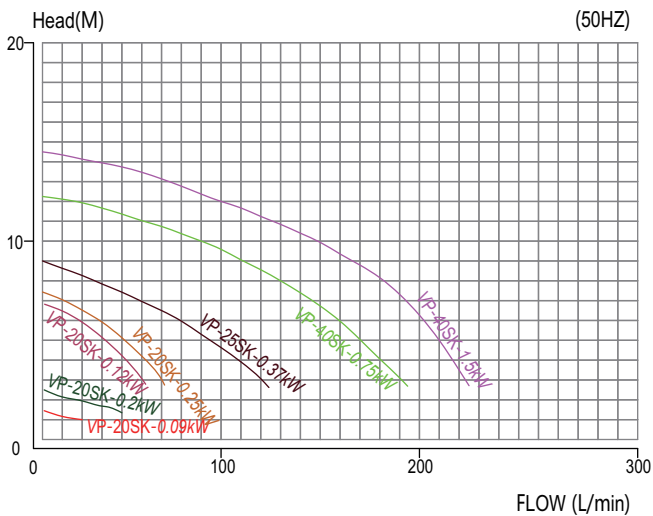


VP-1/6 ~ 1/15HP



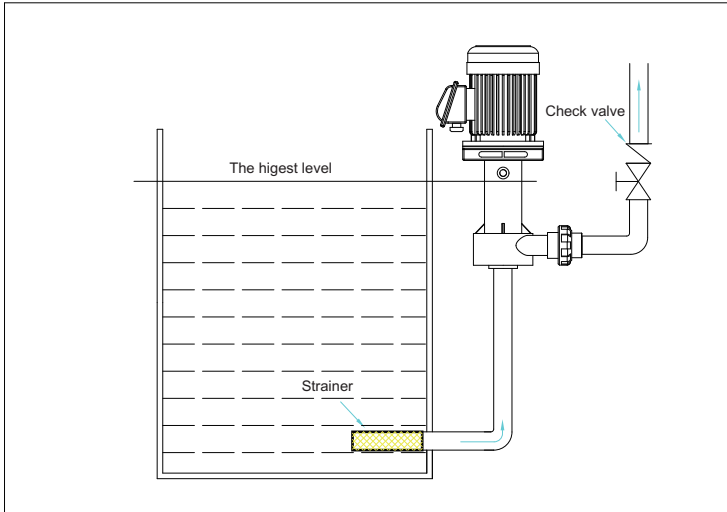
Model	A	B	C	D	E	G	H	J	K	M	N	O	P	Q	S	T	U	V	W
VP-20SK-0.09kW	180	240	402	162	20	∅30	∅63	∅99	15	∅30	56	70	16	12	/	141	/	93	/
VP-20SK-0.12kW	175	224	380	156	25	∅40	∅83	∅99	20	∅34	56	90	24	9	/	165	/	100	/
VP-20SK-0.2kW	245	308	530	222	25	∅42	∅110	∅143	20	∅35	99	137	35	17	150	182	150	182	∅10
VP-20SK-0.25kW	245	308	530	222	25	∅42	∅110	∅143	20	∅35	99	137	35	17	150	182	150	182	∅10
VP-25SK-0.37kW	205	298	533	235	40	∅75	∅143	∅175	25	∅49	111	150	41	32	180	230	148	198	∅15
VP-40SK-0.75kW	205	315	550	235	50	∅75	∅143	∅175	40	∅53	135	150	41	32	180	230	148	198	∅15
VP-40SK-1.5kW	205	315	637	322	50	∅75	∅143	∅175	40	∅53	135	150	41	32	180	230	148	198	∅15

Performance curve

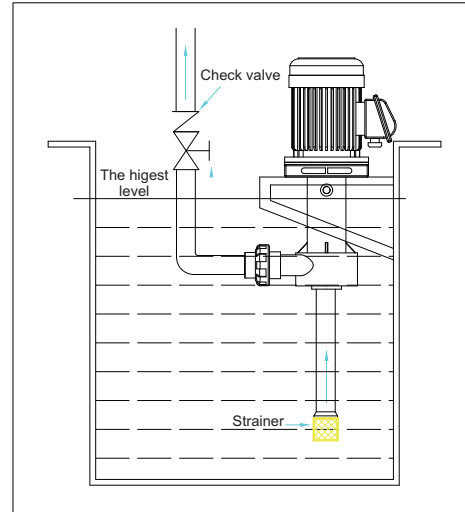


Installation diagram

Installed outside the barrel



Installed inside the barrel



Installed inside the barrel

1. The pump shall be installed on the firm horizontal ground and the body shall be vertical and fixed.
2. Try to avoid installing the machine in the outdoor area. Outdoor pump shall be covered with a protective cover. If the pump is equipped with an electronic controller, safeguard procedures shall be adopted.
3. Before piping, different pipe fitting materials shall be selected according to the chemical and temperature conditions as well as the lift, so as to meet the actual requirements. For example, PP pipe fittings should be selected for temperatures above 60 ° C.
4. When piping, it shall be noted that there shall be no impurities or debris left in the pipe. If necessary, clean the pipe with clean water.
5. The flange joint shall be supplemented with gasket and locked to prevent air from being sucked into the pump.
6. It should be noted that the pipeline should not be forced to twist when piping. After installation, check whether the pump body is distorted due to excessive force or incorrect installation method.
7. After the pump is installed, it should be confirmed whether the pipeline is firm, to avoid pipeline damage caused by vibration.
8. Before connecting the power cord, it shall be checked whether the selected power supply conforms to the motor type, and connect the over-current protection switch.
9. If the height of the outlet pipe is higher than that of the motor, or there is reverse pressure, please install a check valve at the outlet of the pump. The installation position should not exceed the maximum liquid area to a large extent.
10. For the sake of safety, it is better to install a filter screen at the inlet to avoid damage to the pump due to the entry of sundries.
11. Flange connection is too tight or too loose will affect the circulation performance and even security.
12. Please refer to the nameplate specification of the motor for the working voltage of the pump motor. The connection diagram of the circuit can be seen on the motor connection box.
13. Motor over-current protection switch shall be used, which will automatically cut off the power supply in case of overload or single-phase operation. The load safety protector can prevent idling and automatically cut off the power supply.
14. Any misuse, such as overpressure, self-modified parts, chemical property mismatch, or use of damaged parts, etc., may cause dangerous situations. Please obey the safety warning.
15. The combination of different kinds of chemical solutions may cause chemical reaction, or even produce high heat surface to damage the pump. Do not use the same pump to deliver different chemical solutions.
16. Abnormal operation will cause great danger to the transportation of dangerous liquid, which may lead to gas explosion or hydrogen explosion, so special attention shall be paid to the operation safety.

1. High cost performance:

Independent production, stable quality and controllable cost.

2. Excellent product performance:

Corrosion resistance, idling resistance, no leakage, low noise, high efficiency, surface corrosion resistance, durable.

3. Advanced product technology:

Cooperate with colleges and universities to carry out production, learning and research activities, master cutting-edge technology, and constantly make breakthroughs in the direction of low energy consumption and high efficiency. At present, the unique technology includes: 4P motor magnetic pump addresses the problem of rapid temperature rise of liquid medicine, and intelligent monitoring addresses the problem of idling.

4. Continuous upgrading of materials:

Imported CFRETFE material is resistant to strong acid, strong alkali and high temperature.

5. Rich product categories:

It can be upgraded to replace all kinds of old equipment.

6. Strong qualification:

Patented technology, CE, SGS quality certification of European Union, government designated supplier

**Inside
Vertical
Pump QP**