



BTS
ENGINEERING

<https://prom-nasos.pro>

<https://bts.net.ua>

<https://prom-nasos.com.ua>

+38 095 656-37-57,

+38 067 360-71-01,

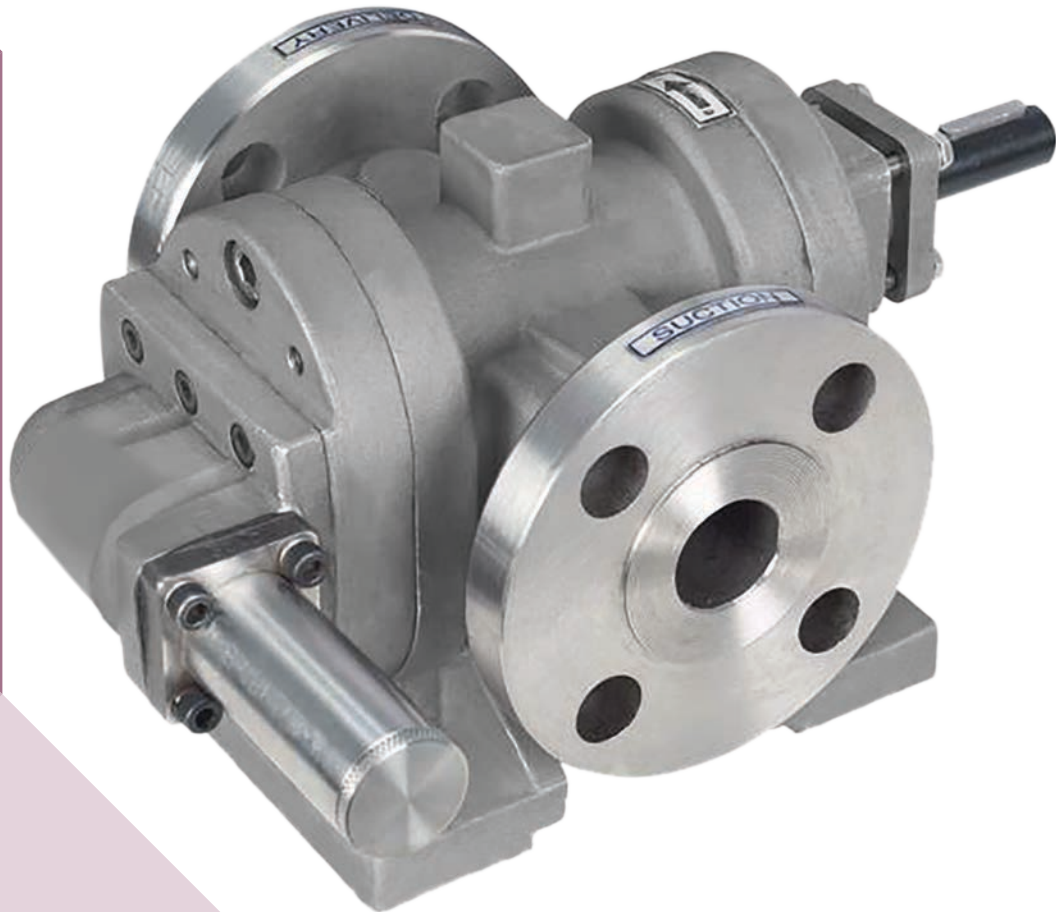
+38 063 362-12-31,

info@prom-nasos.pro

STAINLESS STEEL ROTARY TWIN GEAR PUMPS

Model : JKMS

PUMPING SOLUTIONS FOR
LIQUID TRANSFER...



“We Believe in Quality”

ADVANCED TECHNOLOGY FOR PUMPING VISCOUS LIQUID

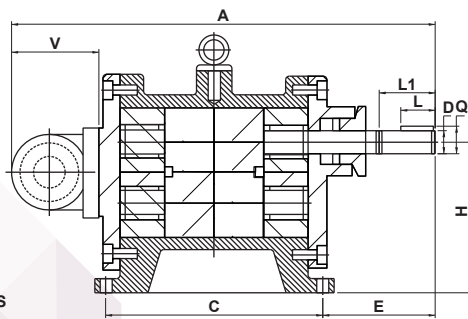
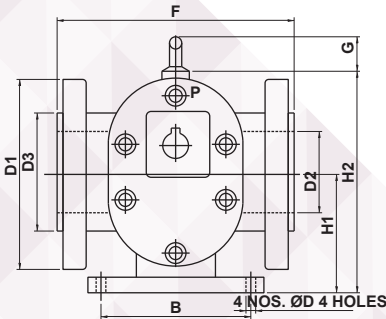


J K PUMP IND. offers “SHIVAY” brand gear pump Model “JKMS” which is heavy duty foot mounting type positive displacement rotary twin gear pump. Model “JKMS” having all stainless steel (SS-316) in four piece construction with investment cast. Due to four piece construction it can be easy clean and maintain. These pumps having a double helical refined SS-316 gear shaft that are nitrided to give longer life. Due to Double helical gear it prevent axial and side thrust which help to increase life & performance of pump. The teflon coated dry running DU bush bearing, supported on bronze wearing plate, placed inside the pump casing, alternatively bronze wearing plate cum bushes can also be provided for thicker viscous liquid application. The stuffing box is fitted with “GFO” pack sealant with provision to fit mechanical shaft seal. These pumps provide with add-on type pressure relief valve. To facilitate the heating of the pump by steam or thermic fluid etc. the jacketing construction should be selected.

The pumps made by **J K PUMP IND.** have flange at the end of suction & the customer can get an instant delivery of ½" to 6" size. which can be operated up to pressure of 10 kg/cm² with 13 LPM to 1330 LPM flow capacity and are suitable for maximum temperature up to 200°C and maximum viscosity up to 1,00,000 SSU.

- **Model JKM** : All feature are same as JKMS but there are the following changes
- **Casing** : available in C.I. and WCB casting.
- **Shaft** : available in SS 316, EN-9, EN-36 and SAE 8620.
- **Gear** : available in SS 316 and EN-24 H. nitride.

DIMENSIONAL DRAWING



MATERIAL OF CONSTRUCTION

Part	Material For DRMS	Material For DRM
Pump Body	CF8M [SS-316]	C.I./WCB Casting
Front Cover	CF8M [SS-316]	C.I./WCB Casting
Back Cover	CF8M [SS-316]	C.I./WCB Casting
Gland Cover	CF8M [SS-316]	C.I./WCB Casting
Rotor & Stator Shaft	AISI [SS-316] / EN-57	EN-36/SS-316
Gear	AISI [SS-316]	AISI [SS-316]
Bushes	Teflon Coated DU	Teflon Coated DU
Wear Plate	Bronze	Bronze
R.V. Housing	AISI [SS-316]	AISI [SS-316]
R.V. Piston	AISI [SS-316]	AISI [SS-316]
R.V. Spring	Mild Steel	Mild Steel
R.V. AD. Screw	Mild Steel	Mild Steel
Key	AISI [SS-316]	AISI [SS-316]
Sealing	“GFO” Peck/Mech. Seal	“GFO” Peck

PUMP MODEL	CAPACITY AT 1440 RPM			POWER REQ.				PUMP DIMENSIONS																WT. OF BARE PUMP P.SET IN KG.			
	PORT SIZE ASA-150	LPM	US GPM	M ³ /hr	NO. LOAD VISCOUS H.P.			OVER ALL				MOUNTING						SHAFT									
					200 CST.	250 CST.	750 CST.	Unit HP/ kg Pres.	A	F	V	H2 G	B	C	E	D1	D2 D3	D4	T	D	H	H1	L		L1	P	Q
JKMS-50 ½" NB	S	13.0	3.30	0.75	0.075	0.11	0.19	0.034	215	150	35	130	80	100	75	89	½"	08	10	12	80	69	26	38	04	13	8.5
JKMS-100 1" NB	S	30.0	7.92	1.80	0.16	0.28	0.40	0.088	251	160	45	135	90	110	91	108	1"	10	10	15	90	74	29	38	05	18	9.0
JKMS-150 1½" NB	S	60.0	15.8	3.60	0.32	0.52	0.60	0.176	295	180	52.5	160	105	130	103	127	1½"	10	10	21	100	80	34	45	06	24	12.0
JKMS-200 2" NB	S	100	26.4	6.00	0.40	0.68	0.80	0.272	334	200	60	170	110	150	117	152	2"	12	14	24	112	89.5	30	55	06	27	22.0
JKMS-250 2½" NB	S	150	40.0	9.00	0.71	0.94	1.13	0.405	369	220	60	200	130	160	140	178	2½"	15	15	28	132	106	40	65	08	31	28.0
JKMS-300 3" NB	S	250	66.0	15.00	0.94	1.28	1.50	0.615	453	235	75	241	160	220	161	190.5	3"	19	25	32	160	131	55	75	10	37	40.0
JKMS-400 4" NB	S	415	111	25.00	2.92	4.17	5.00	1.100	525	275	90	270	180	270	171	228	4"	19	25	36	180	145	50	85	10	41	68.0
JKMS-500 5" NB	S	600	158	36.00	4.00	6.00	7.20	1.568	600	300	90	305	200	280	200	254	4½"	19	25	45	200	160	65	100	14	52	110.0
JKMS-600 6" NB	S	1000	2630	60.00	5.63	7.50	9.00	2.700	663	340	90	345	220	350	216	279	5"	22	25	50	225	179	70	120	14	57	170.0
JKMS-600 6" NB	M	1611	451	100.0	10.0	12.5	15.0	3.988	710	356	100	360	240	380	244	343	6"	22	28	55	250	200	90	130	16	58	200.0

FEATURES

- Herringbone rotor design eliminate side thrust.
- Modified tooth profile enhance tooth life.
- Optional steam jacket pump available.
- In-built relief valve construction
- Gear is double helical design which prevent axial load.
- Corrosion prevent pump

APPLICATION

- High pressure coolant transfer application for machine tools.
- Handling thinner liquid at moderate measuring.
- Light fuel pressurizing application for loader and burners.
- Heavy viscous liquid transfer application like Molasses, Magma, Tar, Bitumen, Soap stock, Paints, Varnish, Suspended, Sugar juice, Vegetable oil, Printing ink, Paper pulp, Spent wash.

* All dimensions are in millimeters. Unless otherwise stated, Specifications are subject to change without prior notice as improvements are made from time to time. Mfgd. By :