

With brand engine:

**VOLVO**

**WEICHA**

**Cummins**

**KAI PU**  
DIESEL POWER SUPPLY

**Perkins**

**RICARDO**

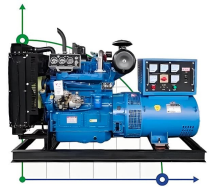


# Catalog Diesel generators

<https://prom-nasos.pro>  
<https://bts.net.ua>  
<https://prom-nasos.com.ua>  
+38 095 656-37-57,  
+38 067 360-71-01,  
+38 063 362-12-31,  
[info@prom-nasos.pro](mailto:info@prom-nasos.pro)



Silent Type



Open Type

<https://bts.net.ua>

# Volvo series generator

SPEC	Unit parameters		Alternator Model	Diesel Engine Parameters								Unit shape	
	Unit Type	Rated power (kW)		Engine model	1H power (kW)	Fuel consumption	Number	Bore *stroke	Compression ratio	Oil capacity (L)	Total cooling water capacity	Dimensions (mm)	Weight (kg)
85Kva	XHYV-70GF	70	HYF-85	TAD530GE	83	213	L4	108*130	17.5:1	13	22	2050*720*1375	1030
100Kva	XHYV-80GF	80	HYF-100	TAD531GE	96	213	L4	108*130	17.5:1	13	22	2050*960*1450	1150
125Kva	XHYV-100GF	100	HYF-125	TAD532GE	124	213	L4	108*130	17.5:1	13	22	2050*1010*1460	1120
150Kva	XHYV-120GF	120	HYF-150	TAD731GE	145	210	L6	108*130	18:1	17	29	2500*1020*1440	1490
180Kva	XHYV-150GF	150	HYF-160	TAD732GE	179	210	L6	108*130	18:1	17	29	2515*1060*1530	1700
200Kva	XHYV-160GF	160	HYF-200	TAD733GE	197	210	L6	108*130	18:1	17	29	2515*1060*1530	1700
250Kva	XHYV-200GF	200	HYF-250	TAD734GE	241	210	L6	108*130	18:1	17	29	2600*1060*1530	1850
350Kva	XHYV-280GF	280	HYF-350	TAD1342GE	343	200	L6	131*150	17.3:1	35	44	2910*1200*1700	2730
400Kva	XHYV-320GF	320	HYF-400	TAD1344GE	389	200	L6	131*150	16.6:1	35	44	3150*1120*1600	3050
450Kva	XHYV-360GF	360	HYF-450	TAD1345GE	432	200	L6	131*150	16.6:1	34	44	3150*1120*1885	3270
500Kva	XHYV-400GF	400	HYF-500	TAD1641GE	473	197	L6	144*165	15:1	48	60	3150*1120*1885	3270
600Kva	XHYV-450GF	450	HYF-600	TAD1642GE	536	197	L6	144*165	15:1	48	60	3250*1120*1885	3780

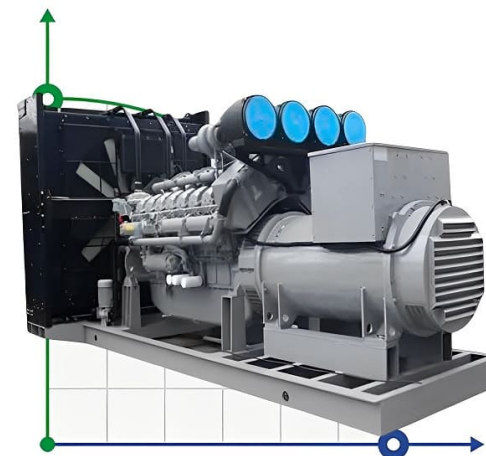


# Perkins series generator

SPEC	Unit parameters			Diesel Engine Parameters											Unit shape	
	Unit Type	Rated power (kW)	Alternator Model	Engine model	Rated power (kW)	Fuel consumption	Intake method	Number	Bore* stroke	Compression ratio	total piston displacement	Coolant capacity (L)	Oil capacity (L)	Speed mode	Dimensions (mm)	Weight (kg)
30Kva	XHYP-24GF	24	HYF-30	1103A-33G	28/31	214	turbocharged	L3	105*127	19.25:1	3,3	10,2	8,3	Electronic speed control	1470*690*1320	750
50Kva	XHYP-36GF	36	HYF-50	1103A-33TG1	42.3/46.5	214	turbocharged	L3	105*127	19.25:1	3,3	10,2	8,3	Electronic speed control	1760*690*1320	900
80Kva	XHYP-64GF	64	HYF-80	1104A-44TG2	71	211	turbocharged	L4	105*127	17.25:1	4,4	13,1	8,01	Electronic speed control	1760*810*1160	800
100Kva	XHYP-80GF	80	HYF-100	1104C-44TAG2	94	214	turbocharged	L4	105*127	18.23:1	4,4	12,6	8,01	Electronic speed control	1760*810*1160	1030
300Kva	XHYP-200GF	200	HYF-300	1206A-E70TTAG3	226	208	Supercharged intercooling	L6	105*135	16.5:1	7,01	15,2	16	Electronic speed control	2240*960*1310	1550
350Kva	XHYP-240GF	240	HYF-350	1506A-E88TAG5	273	197	Supercharged intercooling	L6	112*149	17.2:1	8,8	29,6	41	Electronic speed control	2750*950*1650	2300
500Kva	XHYP-400GF	400	HYF-500	2506C-E15TAG2	435	211	Supercharged intercooling	L6	137*171	16:1	15,2	58	62	Electronic speed control	3310*1200*2000	3800
700Kva	XHYP-600GF	600	HYF-700	4006-23TAG2A	695	204	Supercharged intercooling	L6	160*190	13.6:1	22,9	105	113	Electronic speed control	4500*1800*2300	4700
1000Kva	XHYP-800GF	800	HYF-1000	4008TAG2A	899	206	Supercharged intercooling	L8	160*190	13.6:1	30,5	143	153	Electronic speed control	4900*1870*2350	8000
1500Kva	XHYP-1000GF	1000	HYF-1500	4012-46TWG2A	1113	212	Supercharged intercooling	V12	160*190	13.6:1	45,8	201	177	Electronic speed control	4900*1870*2350	9160
1600Kva	XHYP-1200GF	1200	HYF-1600	4012-46TAG2A	1331	212	Supercharged intercooling	V12	160*190	13.6:1	45,8	201	177	Electronic speed control	4900*1870*2350	11850
1750Kva	XHYP-1400GF	1400	HYF-1750	4012-46TAG3A	1440	212	Supercharged intercooling	V12	160*190	13.6:1	45,8	201	177	Electronic speed control	4900*1870*2350	11900
1850Kva	XHYP-1500GF	1500	HYF-1850	4016TAG1A	1588	208	Supercharged intercooling	V16	160*190	13.6:1	61,1	316	213	Electronic speed control	5600*2780*3100	12000
2000Kva	XHYP-1600GF	1600	HYF-2000	4016TAG2A	1886	208	Supercharged intercooling	V16	160*190	13.6:1	61,1	316	213	Electronic speed control	5600*2780*3100	12000
2250Kva	XHYP-1800GF	1800	HYF-2250	4016-61TRG3	1975/2173	208	Supercharged intercooling	V16	160*190	13.6:1	61,1	316	213	Electronic speed control	5900*2800*3100	12700



**SILENT generator Perkins**



**OPEN generator Perkins**

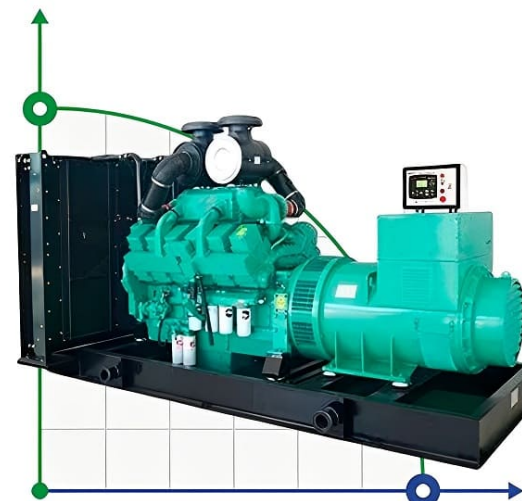
# Cummins series generator

SPEC	Unit parameters		Alternator Model	Diesel Engine Parameters								Unit shape	
	Unit Type	Rated power (kW)		Engine model	Rated/standby power	Fuel consumption	Number	Bore*stroke	Compression ratio	Oil capacity (L)	Total cooling water capacity	Dimensions (mm)	Weight (kg)
20Kva	XHYC-20GF	20	HYF-20	4B3.9-G11	20/22	214	L4	102*120	16,5:1	9	8	1500*550*1100	500
40Kva	XHYC-40GF	40	HYF-40	4BT3.9-G2	36/40	214	L4	102*120	16,5:1	9,5	8	1500*600*1100	680
50Kva	XHYC-50GF	50	HYF-50	4BTA3.9-G2	50/55	214	L4	102*120	16,5:1	9,5	8	1600*630*1200	750
125Kva	XHYC-120GF	120	HYF-125	6BTAA5.9-G2	120/130	214	L6	102*120	16,5:1	16,4	9,9	2300*850*1440	1200
300Kva	XHYC-250GF	250	HYF-300	6LTAA9.5-G3	250/280	197	L6	116,5*148	16,6:1	27,6	35	3010*1000*1700	2600
400Kva	XHYC-300GF	300	HYF-400	6ZTAA13-G3	340/380	204	L6	130*163	15:01	45	61	3300*1150*1700	3000
500Kva	XHYC-450GF	450	HYF-500	QSZ13-G3	450/470	193	L6	130*163	15:01	45	61	3500*1420*2220	3800

SPEC	Unit parameters		Alternator Model	Diesel Engine Parameters											Unit shape	
	Unit Type	Rated power (kW)		Engine model	Rated/standby power	Fuel consumption	Intake method	Number	Bore*stroke	Compression ratio	Displacement	Oil capacity (L)	Water tank capacity	Speed mode	Dimensions (mm)	Weight (kg)
600Kva	XHYC-500GF	500	HYF-600	KTA19-G8	575	195	supercharged /intercooled	L6	159*159	13.9:1	19	50	112	Electronic speed control	3500*1420*2200	4550
1000Kva	XHYC-800GF	800	HYF-1000	KTA38-G2A	813/895	195	supercharged /intercooled	V12	159*159	14.5:1	38	135	194	Electronic speed control	4700*1800*2500	6850
1250Kva	XHYC-1000GF*	1000	HYF-1250	KTA38-G9	1089	195	supercharged /intercooled	V12	159*159	14.5:1	38	135	194	Electronic speed control	4950*2080*2560	7200
*1250Kva	XHYC-1000GF	1000	HYF-1250	KTA50-G3	1097/1227	195	supercharged /intercooled	V16	159*159	14.9:1	50,3	204	199	Electronic speed control	4950*2080*2560	9150



**SILENT generator Cummins**



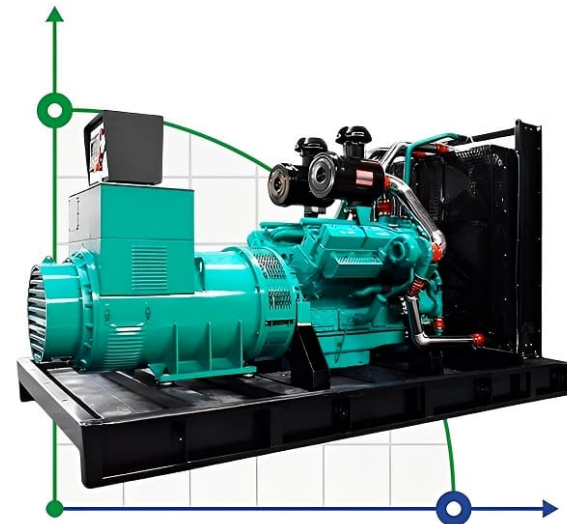
**OPEN generator Cummins**

# Kaipu series generator

SPEC	Unit parameters			Diesel Engine Parameters										Unit shape		
	Unit Type	Rated power (kW)	Alternator Model	Engine model	Engine power (kw)	Fuel consumption	Intake method	Number	Bore* stroke	Compression ratio	Oil capacity (L)	Coolant capacity (L)	total piston displacement	Speed mode	Dimensions (mm)	Weight (kg)
250Kva	XHYS-250GF	250	HYF-250	KP9D340D2	263	245	Supercharged intercooling	L6	135*150	18:1	33	25,5	12,88	Electronic speed control	2900*1350*1700	2500
400Kva	XHYS-350GF	350	HYF-400	KP425	425	210	Supercharged intercooling	L6	135*165	15.75:1	33	25,5	14,9	Electronic speed control	3100*1400*1700	3300
450Kva	XHYS-400GF	400	HYF-450	KP441	441	200	Supercharged intercooling	V12	135*150	15.55:1	65	48	25,8	Electronic speed control	3350*1550*2100	3900
700Kva	XHYS-600GF	600	HYF-700	KPV660	660	198	Supercharged intercooling	V12	135*158	16:1	65	48	28,36	Electronic speed control	3800*1700*2250	4600



**SILENT generator Kaipu**



**OPEN generator Kaipu**

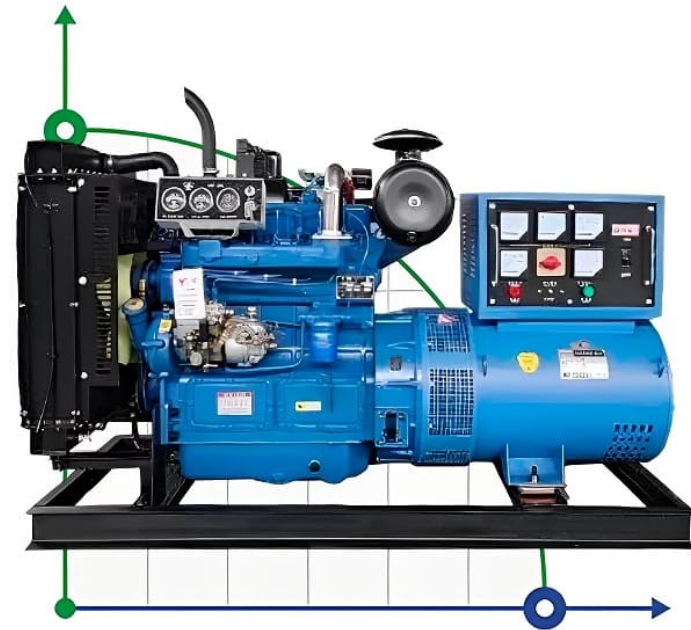


# Ricardo series generator

SPEC	Unit parameters		Alternator Model	Diesel Engine Parameters									Unit shape	
	Unit Type	Rated power (kW)		Engine model	Engine power (kW)	Bore *stroke	Number	Total piston displacement (L)	Compression ratio	Oil capacity (L)	Coolant capacity (L)	Full load fuel consumption (g/kw.h)	Dimensions (mm)	Weight (kg)
30Kva	XHY-R20GF	20	HYF-30	ZH4100D	30	90*100	4	2,54	18:1	10	15	230	1600*640*1000	500
40Kva	XHY-R30GF	30	HYF-40	ZH4102D	33	102*115	4	3,61	19:1	12	17	230	1650*640*1000	550
50Kva	XHY-R40GF	40	HYF-50	ZH4102ZD	44	100*115	4	3,61	17:1	12	17	230	1700*700*1100	580
80Kva	XHY-R60GF	60	HYF-80	R4105AZD	66	105*125	4	4,33	16:1	14	18	230	1850*720*1250	700
125Kva	XHY-R100GF	100	HYF-125	R6105AZLD	110	105*130	6	6,75	16:1	16	29	215	2350*720*1400	980
150Kva	XHY-R120GF	120	HYF-150	R6105IZLD	132	105*135	6	7,01	16:1	16	29	215	2350*720*1400	1000



**SILENT generator Ricardo**



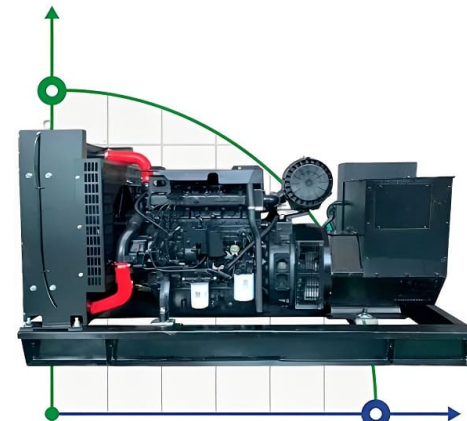
**OPEN generator Ricardo**

# Weichai series generator

SPEC	Unit parameters		Alternator Model	Diesel Engine Parameters									Generator parameters	
	Unit Type	Rated power (kW)		Engine model	Engine power (kW)	Energy burn	Number	Bore *stroke	Oil capacity (L)	Coolant capacity (L)	Intake method	Speed mode	Dimensions (mm)	Weight (kg)
20Kva	XHYW-20GF	20	HYF-20	WP2.3D25E200	23/25	5,6	4	89*92	8,5	15	inhale naturally	ESC/Mechanical	1700*800*1230	600
30Kva	XHYW-30GF	30	HYF-30	WP2.3D33E200	30/33	8,5	4	89*92	8,5	18	supercharged	Electronic speed control	1800*790*1210	650
50Kva	XHYW-40GF	40	HYF-50	WP2.3D48E200	44/48	11,4	4	89*92	8,5	18	Turbocharged	Electronic speed control	1850*700*1200	700
60Kva	XHYW-50GF	50	HYF-60	WP4.1D66E200	60/66	13,8	4	105*118	13	18	supercharged	Electronic speed control	1850*790*1200	800
80Kva	XHYW-60GF	60	HYF-80	WP4.1D80E200	72/80	21,6	4	105*118	13	18	supercharged	Electronic speed control	1850*770*1320	1150
125Kva	XHYW-120GF	120	HYF-125	WP6D132E200	120/132	26,8	6	105*130	18	28	Turbocharged	Electronic speed control	2300*800*1360	1400
250Kva	XHYW-200GF	200	HYF-250	WP10D238E200	216/238	47,2	6	126*130	23	51	Turbocharged	Electronic speed control	2900*890*1510	2000
300Kva	XHYW-250GF	250	HYF-300	WP10D264E200	240/264	52,5	6	126*130	23	51	Turbocharged	Electronic speed control	3000*950*1550	2100
400Kva	XHYW-350GF	350	HYF-400	WP13D385E200	350/385	77,6	6	127*165	36	69	Turbocharged	Electronic speed control	3320*1200*1660	2500
700Kva	XHYW-600GF	600	HYF-700	6M33D670E200	670	148,2	6	150*185	60,5	127	Turbocharged	Electronic speed control	3780*1600*2100	3900
1000Kva	XHYW-800GF	800	HYF-1000	12M26D902E200	820/902	177,9	12	150*150	113	198	Turbocharged	Electronic speed control	4550*1700*2512	11000
1250Kva	XHYW-1000GF	1000	HYF-1250	12M33D1108E200	1007/1108	220,2	12	150*185	146	233	Turbocharged	Electronic speed control	4550*1800*2512	14500
1500Kva	XHYW-1200GF	1200	HYF-1500	16M33D1450E310	1350/1450	290,8	16	150*185	180	350	Turbocharged	Electronically controlled high voltage common rail	5200*2250*2620	11680



**SILENT generator Weichai**



**OPEN generator Weichai**